

SECTION **SR**
SRS AIRBAG

A
B
C
D
E
F
G
H
I
J
K
L
M
N
O
P

CONTENTS

PRECAUTION	2	Removal and Installation	12
PRECAUTIONS	2	SIDE CURTAIN AIR BAG MODULE	14
Precaution for Supplemental Restraint System (SRS) "AIR BAG" and "SEAT BELT PRE-TENSIONER"	2	Exploded View	14
Precaution Necessary for Steering Wheel Rotation after Battery Disconnect	2	Removal and Installation	14
Precaution for Disposal	3	FRONT SIDE AIR BAG MODULE	16
Service	3	Exploded View	16
PREPARATION	4	Removal and Installation	16
PREPARATION	4	CRASH ZONE SENSOR	18
Special Service Tool	4	Exploded View	18
Commercial Service Tool	5	Removal and Installation	18
ON-VEHICLE REPAIR	6	SIDE AIR BAG (SATELLITE) SENSOR	20
DRIVER AIR BAG MODULE	6	Exploded View	20
Exploded View	6	Removal and Installation	20
Removal and Installation	6	DIAGNOSIS SENSOR UNIT	22
SPIRAL CABLE	9	Exploded View	22
Exploded View	9	Removal and Installation	22
Removal and Installation	9	FRONT SEAT BELT PRE-TENSIONER	24
FRONT PASSENGER AIR BAG MODULE	12	Removal and Installation	24
Exploded View	12	DISPOSAL OF AIR BAG MODULE AND SEAT BELT PRE-TENSIONER	25
		Deployment	25
		Disposal	30



PRECAUTIONS

< PRECAUTION >

PRECAUTION

PRECAUTIONS

Precaution for Supplemental Restraint System (SRS) "AIR BAG" and "SEAT BELT PRE-TENSIONER"

INFOID:000000004808646

The Supplemental Restraint System such as "AIR BAG" and "SEAT BELT PRE-TENSIONER", used along with a front seat belt, helps to reduce the risk or severity of injury to the driver and front passenger for certain types of collision. Information necessary to service the system safely is included in the "SRS AIRBAG" and "SEAT BELT" of this Service Manual.

WARNING:

- To avoid rendering the SRS inoperative, which could increase the risk of personal injury or death in the event of a collision which would result in air bag inflation, all maintenance must be performed by an authorized NISSAN/INFINITI dealer.
- Improper maintenance, including incorrect removal and installation of the SRS, can lead to personal injury caused by unintentional activation of the system. For removal of Spiral Cable and Air Bag Module, see the "SRS AIRBAG".
- Do not use electrical test equipment on any circuit related to the SRS unless instructed to in this Service Manual. SRS wiring harnesses can be identified by yellow and/or orange harnesses or harness connectors.

PRECAUTIONS WHEN USING POWER TOOLS (AIR OR ELECTRIC) AND HAMMERS

WARNING:

- When working near the Airbag Diagnosis Sensor Unit or other Airbag System sensors with the ignition ON or engine running, DO NOT use air or electric power tools or strike near the sensor(s) with a hammer. Heavy vibration could activate the sensor(s) and deploy the air bag(s), possibly causing serious injury.
- When using air or electric power tools or hammers, always switch the ignition OFF, disconnect the battery, and wait at least 3 minutes before performing any service.

Precaution Necessary for Steering Wheel Rotation after Battery Disconnect

INFOID:000000004758332

NOTE:

- Before removing and installing any control units, first turn the push-button ignition switch to the LOCK position, then disconnect both battery cables.
- After finishing work, confirm that all control unit connectors are connected properly, then re-connect both battery cables.

This vehicle is equipped with a push-button ignition switch and a steering lock unit.

If the battery is disconnected or discharged, the steering wheel will lock and cannot be turned.

If turning the steering wheel is required with the battery disconnected or discharged, follow the procedure below before starting the repair operation.

OPERATION PROCEDURE

1. Connect both battery cables.

NOTE:

Supply power using jumper cables if battery is discharged.

2. Turn the push-button ignition switch to ACC position.
(At this time, the steering lock will be released.)
3. Disconnect both battery cables. The steering lock will remain released with both battery cables disconnected and the steering wheel can be turned.
4. Perform the necessary repair operation.
5. When the repair work is completed, re-connect both battery cables. With the brake pedal released, turn the push-button ignition switch from ACC position to ON position, then to LOCK position. (The steering wheel will lock when the push-button ignition switch is turned to LOCK position.)

PRECAUTIONS

< PRECAUTION >

Precaution for Disposal

INFOID:000000004549450

- Before disposing of air bag module and seat belt pre-tensioner, or vehicles equipped with such systems, deploy the systems. If such systems have already been deployed due to an accident, dispose of them as indicated in Disposing of Air Bag Module and Seat Belt Pre-tensioner. Refer to SR-30, "Disposal".
- When deploying the air bag module and seat belt pre-tensioner, always use the Special Service Tool; Deployment tool (SST: KV99106400).
- When deploying the air bag module and seat belt pre-tensioner, stand at least 5.0 m (16.4 ft.) away from the deployment component.
- When deploying air bag module and seat belt pre-tensioner, a fairly loud noise is made, followed by smoke being released. The smoke is not poisonous, however, be careful not to inhale smoke since it irritates the throat and can cause choking.
- Always activate one air bag module at a time.
- Due to heat, leave air bag module unattended for more than 30 minutes after deployment. Also leave seat belt pre-tensioner unattended for more than 10 minutes after deployment.
- Wear gloves when handling a deployed air bag module and seat belt pre-tensioner.
- Never apply water to the deployed air bag module and seat belt pre-tensioner.
- Wash your hands after work is completed.
- Place the vehicle outdoors with an open space of at least 6.0 m (19.7 ft) on all sides when deploying air bag module and seat belt pre-tensioner while mounted in vehicle.
- Use a volt meter to make sure the vehicle battery is fully charged.
- Never dispose of the air bag module and seat belt pre-tensioner that does not deploy.

Service

INFOID:000000004549451

- Never use electrical test equipment to check SRS circuits unless instructed to in this Service Manual.
- Before servicing the SRS, turn ignition switch OFF, disconnect battery negative terminal and wait at least 3 minutes or more.
For approximately 3 3 minutes or more after the cables are removed, it is still possible for the air bag and seat belt pre-tensioner to deploy. Therefore, never work on any SRS connectors or wires until at least 3 minutes or more have elapsed.
- Diagnosis sensor unit must always be installed with their arrow marks "←" pointing towards the front of the vehicle for proper operation. Also check diagnosis sensor unit for cracks, deformities or rust before installation and replace as required.
- The spiral cable must be aligned in the neutral position since its rotations are limited. Never turn steering wheel and column after removal of steering gear.
- Handle air bag module carefully. Always place driver and front passenger air bag modules with the pad side facing upward and seat mounted front side air bag module standing with the stud bolt side facing down.
- Conduct self-diagnosis to check entire SRS for proper functioning after replacing any components.
- After air bag inflates, the front instrument panel assembly should be replaced if damaged.
- Always replace instrument panel pad following front passenger air bag deployment.

A
B
C
D
E
F
G
I
J
K
L
M
N
O
P



PREPARATION

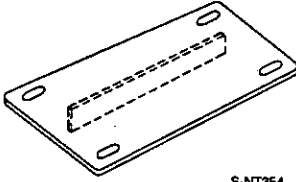
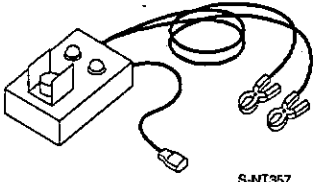
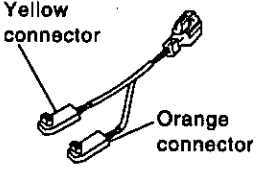
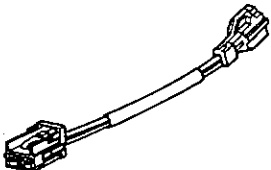
< PREPARATION >

PREPARATION

PREPARATION

Special Service Tool

INFOID:000000004549452

Tool number Tool name	Description
KV99105300 Air bag module bracket	 <p>Anchors air bag module</p>
KV99106400 Deployment tool	 <p>Disposes of air bag module and front seat belt pre-tensioner</p>
KV99110500 Deployment tool adapter <ul style="list-style-type: none"> • Deployment tool adapter for driver air bag module (Yellow connector) • Deployment tool adapter for front seat belt pre-tensioner (Yellow connector) • Deployment tool adapter for side curtain air bag module (Yellow connector) • Deployment tool adapter for front passenger air bag module 	 <ul style="list-style-type: none"> • Connects the deployment tool and driver air bag module • Connects the deployment tool and front seat belt pre-tensioner • Connects the deployment tool and side curtain air bag module • Connects the deployment tool and front passenger air bag module
KV99108300 Deployment tool adapter for front side air bag module	 <p>Connects the deployment tool and front side air bag module</p>

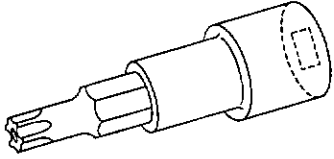
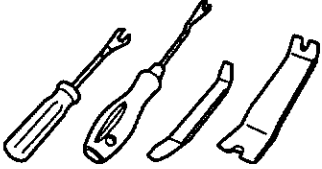
PREPARATION

< PREPARATION >

Commercial Service Tool

INFOID:000000004549453

A
B
C
D
E
F
G
SR
I
J
K
L
M
N
O
P

Tool name	Description
<p data-bbox="175 396 448 426">Tamper resistant TORX bit</p>  <p data-bbox="846 510 902 527">S-NT757</p>	<p data-bbox="993 396 1341 426">Removes of driver air bag module</p>
<p data-bbox="175 648 318 678">Remover tool</p>  <p data-bbox="846 758 935 774">JMKIA3050ZZ</p>	<p data-bbox="993 648 1382 678">Removes clips, pawls, and metal clips</p>

DRIVER AIR BAG MODULE

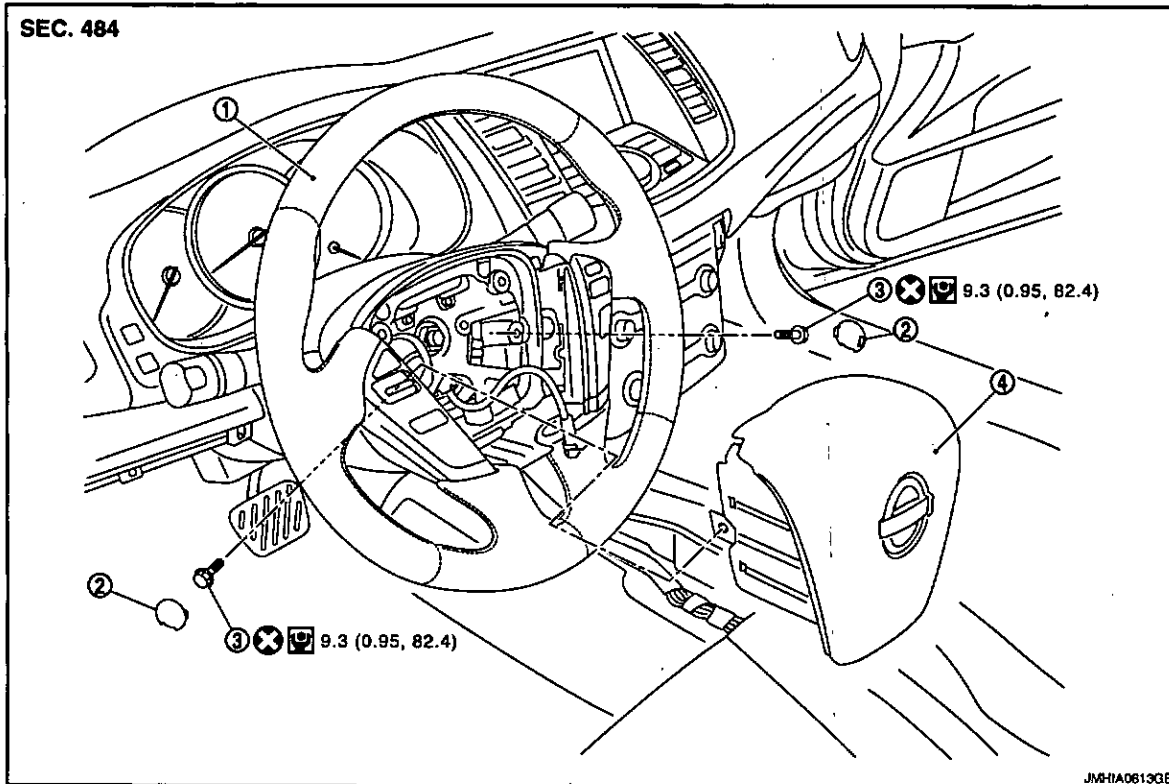
< ON-VEHICLE REPAIR >

ON-VEHICLE REPAIR

DRIVER AIR BAG MODULE

Exploded View

INFOID:000000004549454



1. Steering wheel
2. Side lid (LH/RH)
3. TORX bolt (LH/RH)
4. Driver air bag module

Refer to GI-4, "Components" for symbols in the figure.

Removal and Installation

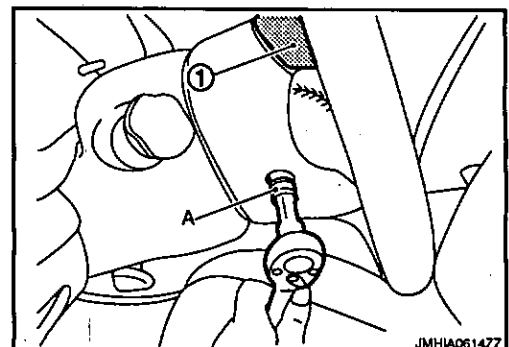
INFOID:000000004549455

WARNING:

- Before servicing, turn ignition switch OFF, disconnect battery negative terminal and wait at least 3 minutes or more.
- Always work from the side of air bag module. Never work in front of it.
- Never use the air tools or electric tools for servicing.

REMOVAL

1. Remove the side lids (LH/RH).
2. Remove the driver air bag module (1) mounting TORX bolt (LH/RH) with TORX bit (A).



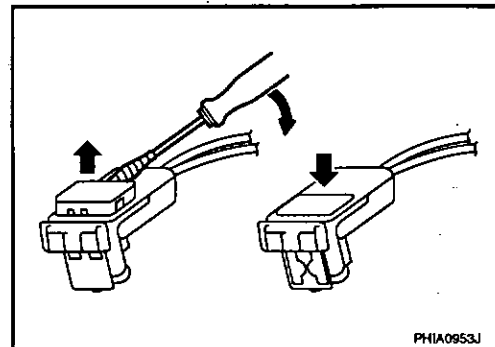
DRIVER AIR BAG MODULE

< ON-VEHICLE REPAIR >

3. Pull out driver air bag module.
4. Disconnect driver air bag harness connector.

NOTE:

- For installing/removing driver air bag harness connector, insert thin screwdriver wrapped in tape into notch, lift lock and remove connector.
- Install connector with lock raised, and push lock into connector.
- After installing the connector, check that the lock is pushed securely into it.

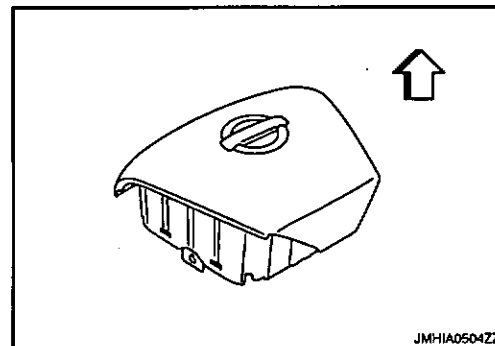


5. Remove the driver air bag module.

CAUTION:

- Always place driver air bag module with pad side facing upward.

⇐ : Upward



- Never impact the driver air bag module.
- Replace the driver air bag module if it has been dropped or sustained an impact.



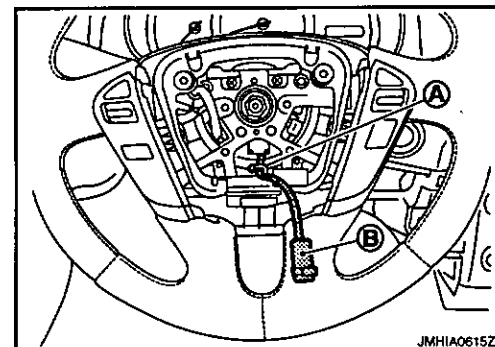
- Never insert any foreign objects (screwdriver, etc.) into driver air bag module.
- Never disassemble driver air bag module.
- Never expose the driver air bag module to temperatures exceeding 90°C (194°F).
- Never allow oil, grease, detergent or water to come in contact with the driver air bag module.

INSTALLATION

Install in the reverse order of removal.

CAUTION:

- Never use the old TORX bolts after removal, replace with the new bolts.
- Fix the driver air bag harness (B) to the harness fixing hook (A).



A
B
C
D
E
F
G
SR
I
J
K
L
M
N
O
P

DRIVER AIR BAG MODULE

< ON-VEHICLE REPAIR >

- Tighten the TORX bolts after completely adjusting the centers of fixing holes on the driver air bag module side and the steering wheel side. If the holes are misaligned, the bolt threads are damaged and the module is not installed securely.
- If malfunction is detected by the air bag warning lamp, after repair or replacement of the malfunctioning parts, reset the memory using self-diagnosis. Refer to SRC-7, "Air Bag Warning Lamp Diagnosis".
- After the work is completed, check that no system malfunction is detected by air bag warning lamp.

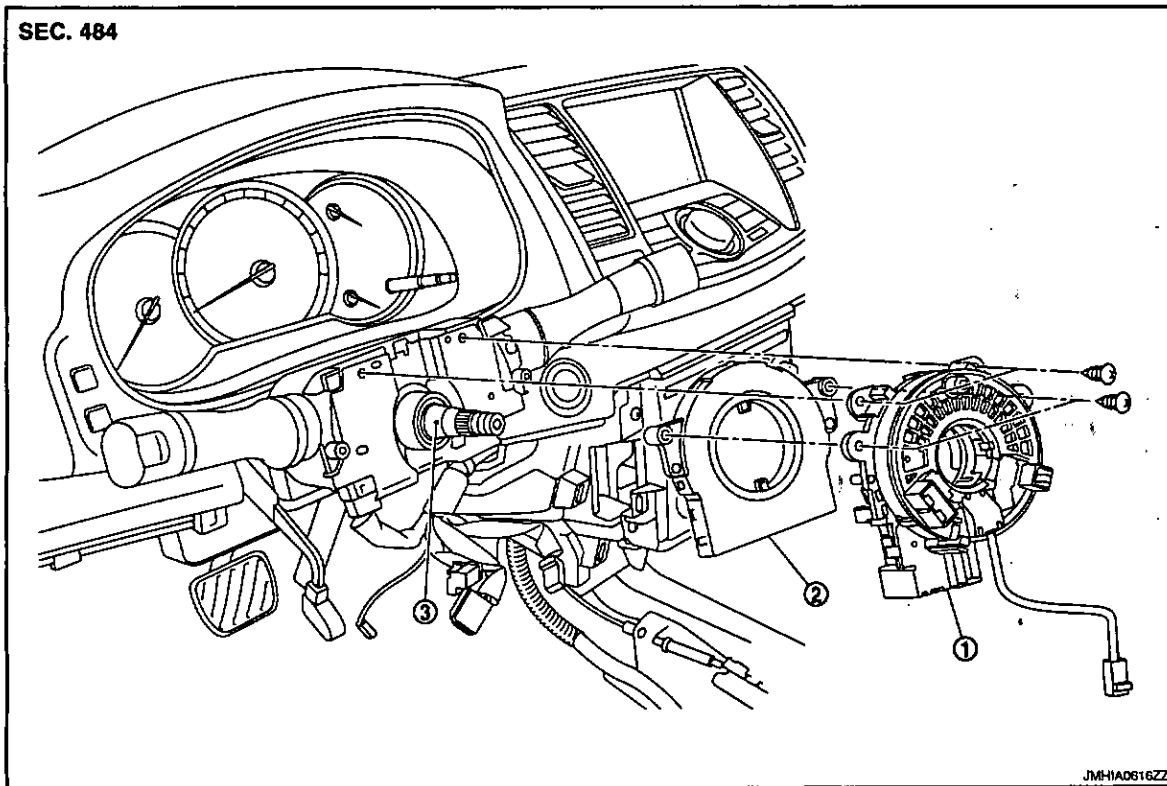
SPIRAL CABLE

< ON-VEHICLE REPAIR >

SPIRAL CABLE

Exploded View

INFOID:000000004549456



1. Spiral cable 2. Steering angle sensor 3. Steering column assembly

Removal and Installation

INFOID:000000004549457

WARNING:

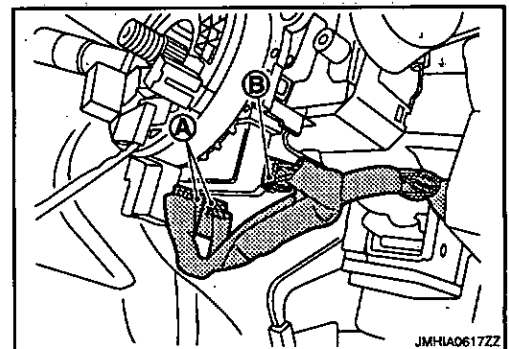
- Before servicing, turn ignition switch OFF, disconnect battery negative terminal and wait at least 3 minutes or more.
- Never use the air tools or electric tools for servicing.

REMOVAL

1. Remove the driver air bag module. Refer to [SR-6](#), "Removal and Installation".
2. Remove the steering wheel. Refer to [ST-12](#), "Removal and Installation".
3. Remove the steering column cover (upper/lower). Refer to [IP-12](#), "Removal and Installation".
4. Disconnect the spiral cable body side harness connectors (A) and steering angle sensor harness connectors (B).

NOTE:

Disconnect the spiral cable body side harness connectors after removing the spiral cable.

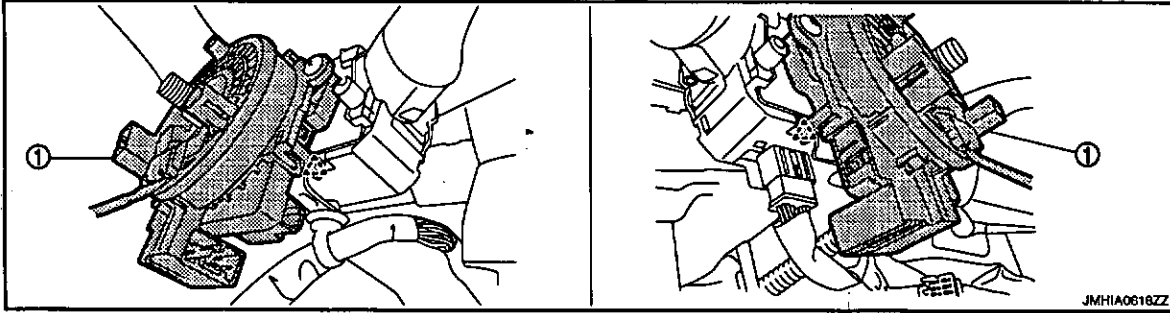



5. Remove the spiral cable fixing screws.

SPIRAL CABLE

< ON-VEHICLE REPAIR >

6. Remove the spiral cable (1) side pawls (LH/RH).

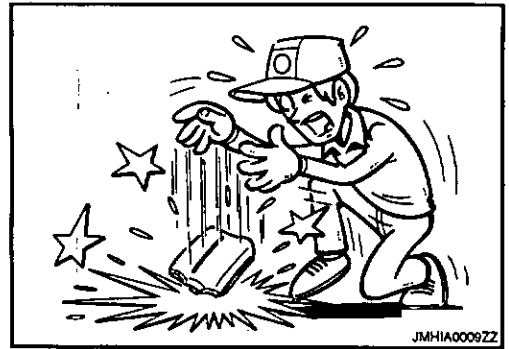


 : Pawl

7. Pull the spiral cable out forward.

CAUTION:

- Never disassemble the spiral cable.
- Never apply lubricant to the spiral cable.
- Never allow oil, grease, detergent, or water to come in contact with the spiral cable.
- Never impact the spiral cable.
- Replace the spiral cable if it has been dropped or sustained an impact.

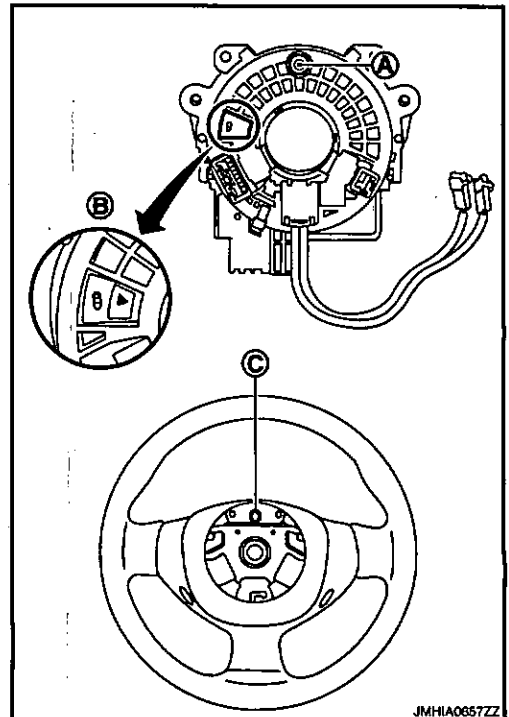


INSTALLATION

Install in the reverse order of removal.

CAUTION:

- The spiral cable may snap during steering operation if the cable is installed in an improper position. The neutral position is set as follows.
- Carefully turn the spiral cable clockwise to the end position. Then turn it counterclockwise (about 2 and a half turns) and stop turning at the mark (B) on which the stopper insertion holes are in the same position.
- The service part is installed in the neutral position by the stopper and can be set without adjusting after the stopper is removed.
- Never over turn the spiral cable or go beyond the number of turns required. (These will cause the cable to snap.)
- Adjust the spiral cable locating pin (A) to the steering wheel locating pin hole (C).



SPIRAL CABLE

< ON-VEHICLE REPAIR >

- If malfunction is detected by the air bag warning lamp, after repair or replacement of the malfunctioning parts, reset the memory using self-diagnosis. Refer to SRC-7, "Air Bag Warning Lamp Diagnosis".
- After the work is completed, check that no system malfunction is detected by air bag warning lamp.

A
B
C
D
E
F
G
SR
I
J
K
L
M
N
O
P

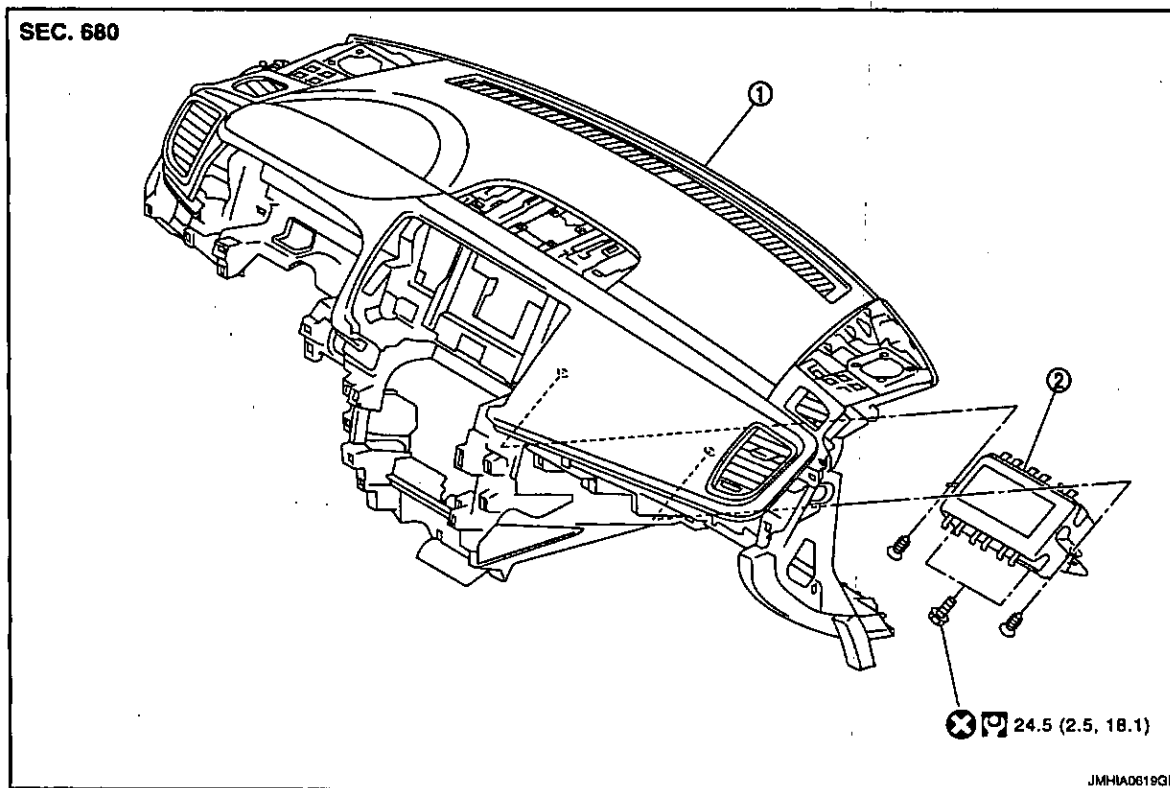
FRONT PASSENGER AIR BAG MODULE

< ON-VEHICLE REPAIR >

FRONT PASSENGER AIR BAG MODULE

Exploded View

INFOID:000000004549458



1. Instrument panel assembly 2. Front passenger air bag module

Refer to GI-4, "Components" for symbols in the figure.

Removal and Installation


INFOID:000000004549459

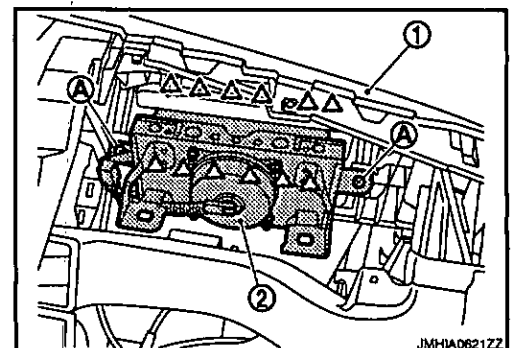
WARNING:

- Before servicing, turn ignition switch OFF, disconnect battery negative terminal and wait at least 3 minutes or more.
- Always work from the side of air bag module. Never work in front of it.
- Never use the air tools or electric tools for servicing.

REMOVAL

1. Remove the instrument panel assembly. Refer to IP-12, "Removal and Installation".
2. Remove the front passenger air bag module fixing screws (A).
3. Disconnect the pawls by using remover tool, and then remove front passenger air bag module (2) from instrument panel (1).

 : Pawl



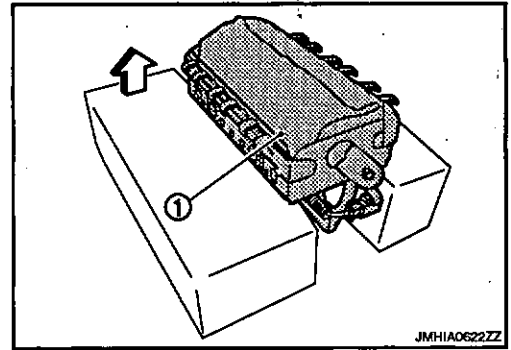
CAUTION:

FRONT PASSENGER AIR BAG MODULE

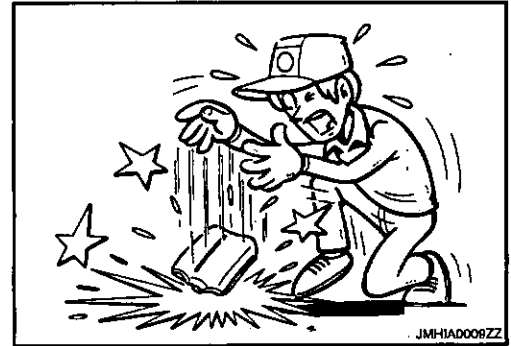
< ON-VEHICLE REPAIR >

- Always place front passenger air bag module (1) with pad side facing upward.

↕ : Upward



- Never impact the front passenger air bag module.
- Replace the front passenger air bag module if it has been dropped or sustained an impact.



- Never insert any foreign objects (screwdriver, etc.) into front passenger air bag module.
- Never disassembly front passenger air bag module.
- Never expose the front passenger air bag module to temperatures exceeding 90°C (194°F).
- Never allow oil, grease, detergent, or water to come in contact with the front passenger air bag module.

INSTALLATION

Install in the reverse order of removal.

CAUTION:

- Never use the old fixing bolts after removal, replace with the new bolts.
- If malfunction is detected by the air bag warning lamp, after repair or replacement of the malfunctioning parts, reset the memory using self-diagnosis. Refer to SRC-7, "Diagnosis Description".
- After the work is completed, check that no system malfunction is detected by air bag warning lamp.

A
B
C
D
E
F
G
SR
I
J
K
L
M
N
O
P

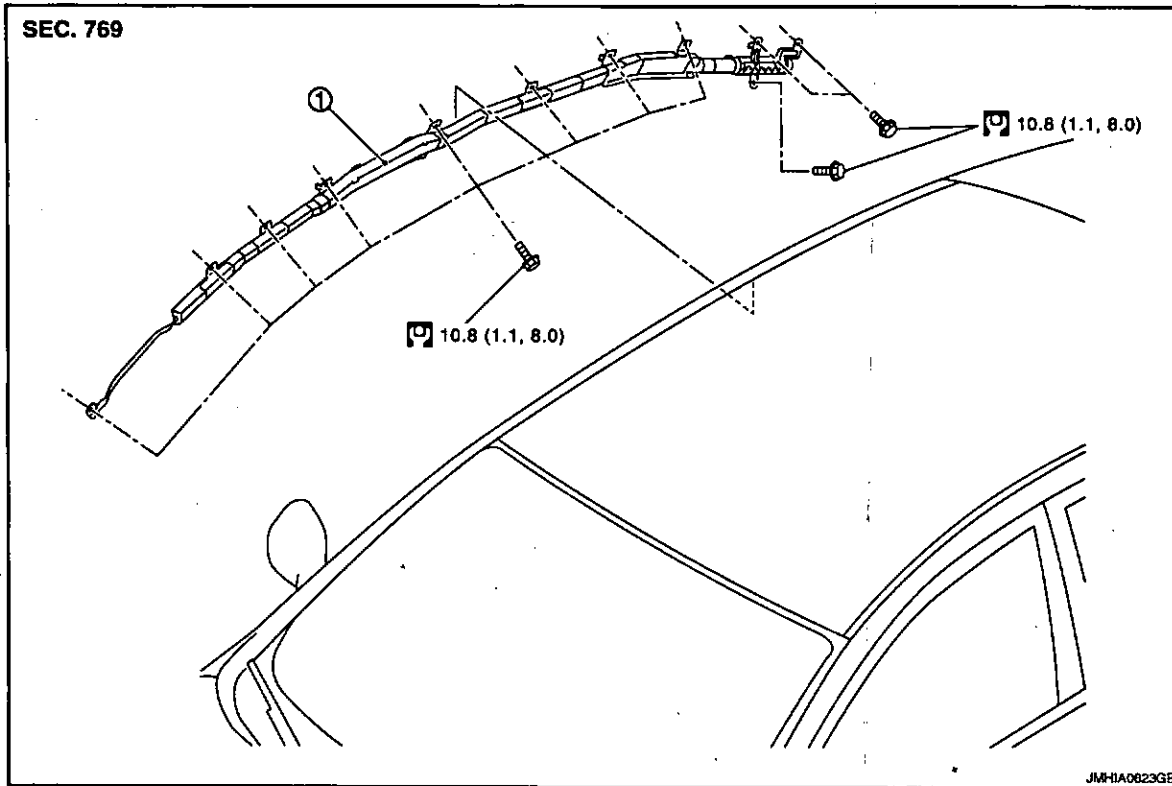
SIDE CURTAIN AIR BAG MODULE

< ON-VEHICLE REPAIR >

SIDE CURTAIN AIR BAG MODULE

Exploded View

INFOID:000000004549460



1. Side curtain air bag module

Refer to GI-4, "Components" for symbols in the figure.

Removal and Installation

INFOID:000000004549461

WARNING:

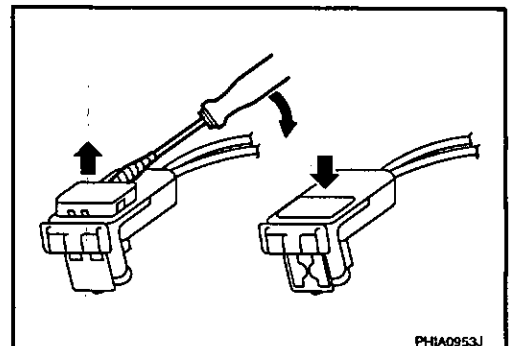
- Before servicing, turn ignition switch OFF, disconnect battery negative terminal and wait at least 3 minutes or more.
- Never use the air tools or electric tools for servicing.

REMOVAL

1. Remove the headlining assembly.
 - Normal roof models: Refer to INT-48, "NORMAL ROOF : Removal and Installation".
 - Sunroof models: Refer to INT-52, "SUNROOF (TYPE A) : Removal and Installation".
2. Remove the side curtain air bag harness connector.

NOTE:

- For installing/removing side curtain air bag harness connector, insert thin screwdriver wrapped in tape into notch, lift lock and remove connector.
- Install connector with lock raised, and push lock into connector.
- After installing the connector, check that the lock is pushed securely into it.



SIDE CURTAIN AIR BAG MODULE

< ON-VEHICLE REPAIR >

3. Remove fixing bolts, and then remove side curtain air bag module.

CAUTION:

- Never impact the side curtain air bag module.
- Replace the side curtain air bag module if it has been dropped or sustained an impact.



- Never insert any foreign objects (screwdriver, etc.) into the side curtain air bag module.
- Never disassemble side curtain air bag module.
- Never expose the side curtain air bag module to temperatures exceeding 90°C (194°F).
- Never allow oil, grease, detergent, or water to come in contact with the side curtain air bag module.

INSTALLATION

Install in the reverse order of removal.

CAUTION:

- If malfunction is detected by the air bag warning lamp, after repair or replacement of the malfunctioning parts, reset the memory using self-diagnosis. Refer to SRC-7, "Diagnosis Description".
- After the work is completed, check that no system malfunction is detected by air bag warning lamp.

A
B
C
D
E
F
G
SR
I
J
K
L
M
N
O
P

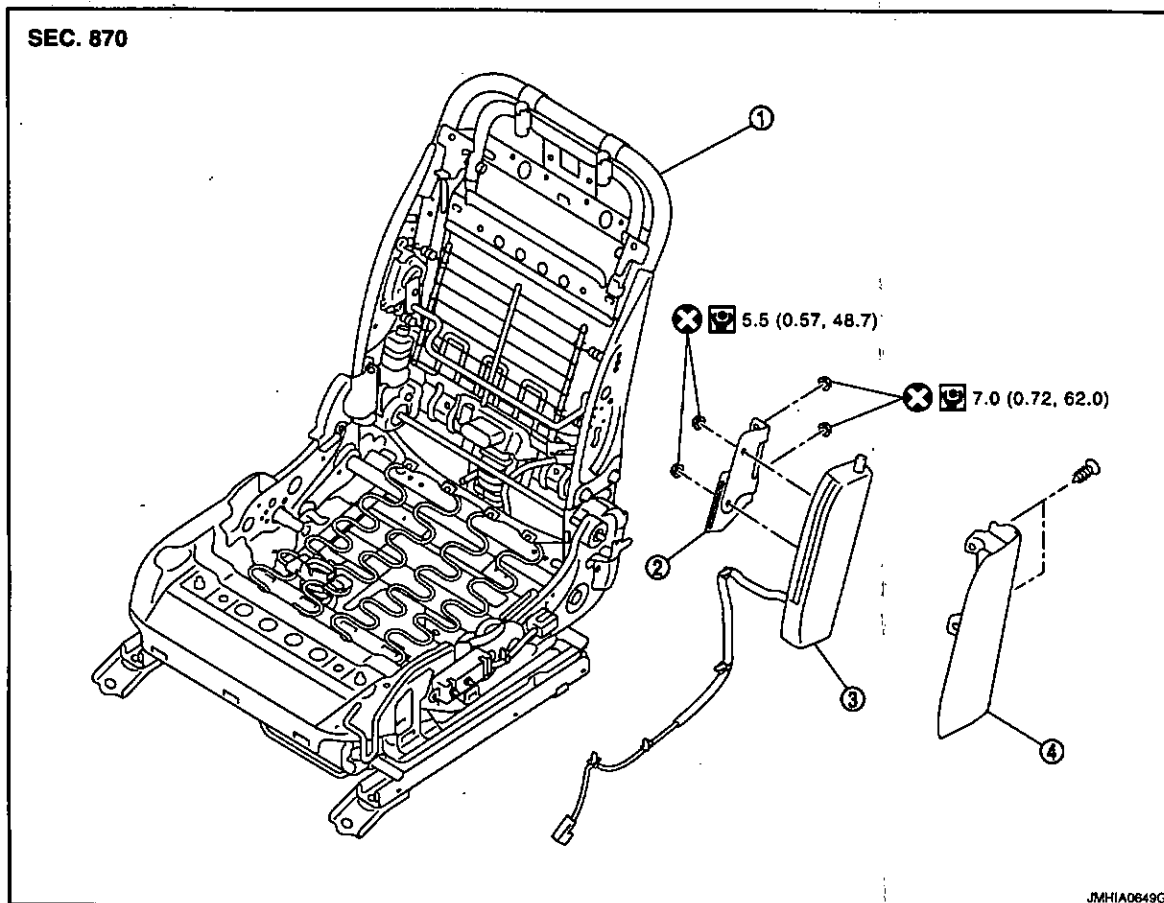
FRONT SIDE AIR BAG MODULE

< ON-VEHICLE REPAIR >

FRONT SIDE AIR BAG MODULE

Exploded View

INFOID:000000004549462



1. Seat frame assembly
2. Side air bag module bracket
3. Side air bag module
4. Seatback finisher

Refer to GI-4, "Components" for symbols in the figure.

Removal and Installation

INFOID:000000004549463

REMOVAL

WARNING:

- Before servicing, turn ignition switch OFF, disconnect battery negative terminal and wait at least 3 minutes or more.
- Always work from the rear of air bag module.
- Never use the air tools or electric tools for servicing.

1. Remove the front seat.
 - With VENTILATION SEAT: Refer to SE-105, "Removal and Installation".
 - Without VENTILATION SEAT: Refer to SE-151, "Removal and Installation".
2. Remove the seatback trim and pad.
 - With VENTILATION SEAT: Refer to SE-106, "Disassembly and Assembly".
 - Without VENTILATION SEAT: Refer to SE-151, "Disassembly and Assembly".
3. Remove the seatback finisher fixing screws, and then remove seatback finisher.
4. Disconnect the front side air bag harness connector and harness clips.
5. Remove the side air bag module fixing nut, and then remove side air bag module.

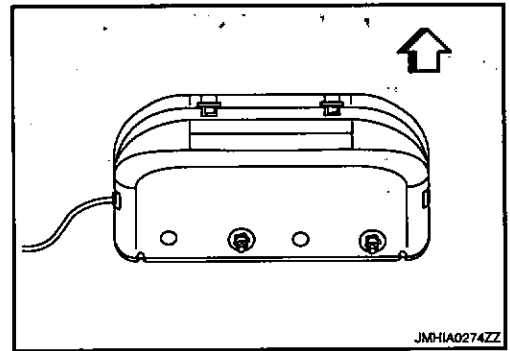
CAUTION:

FRONT SIDE AIR BAG MODULE

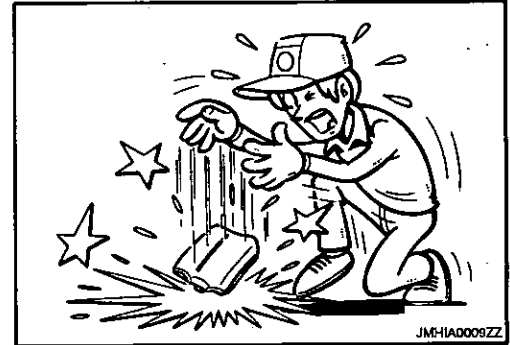
< ON-VEHICLE REPAIR >

- Always place front side air bag module with pad side facing upward.

↕ : Upward



- Never impact the air bag module.
- Replace the air bag module if it has been dropped or sustained an impact.



- Never insert any foreign objects (screwdriver, etc.) into the front side air bag module.
- Never disassemble the front side air bag module.
- Never expose the air bag module to temperatures exceeding 90°C (194°F).
- Never allow oil, grease, detergent, or water to come in contact with the air bag module.

INSTALLATION

Install in the reverse order of removal.

CAUTION:

- Never use the old fixing nut after removal, replace with the new nut.
- Never damage the air bag harness.
- If malfunction is detected by the air bag warning lamp, after repair or replacement of the malfunctioning parts, reset the memory using self-diagnosis. Refer to SRC-7, "Air Bag Warning Lamp Diagnosis".
- After the work is completed, check that no system malfunction is detected by air bag warning lamp.

A
B
C
D
E
F
G
SR
I
J
K
L
M
N
O
P

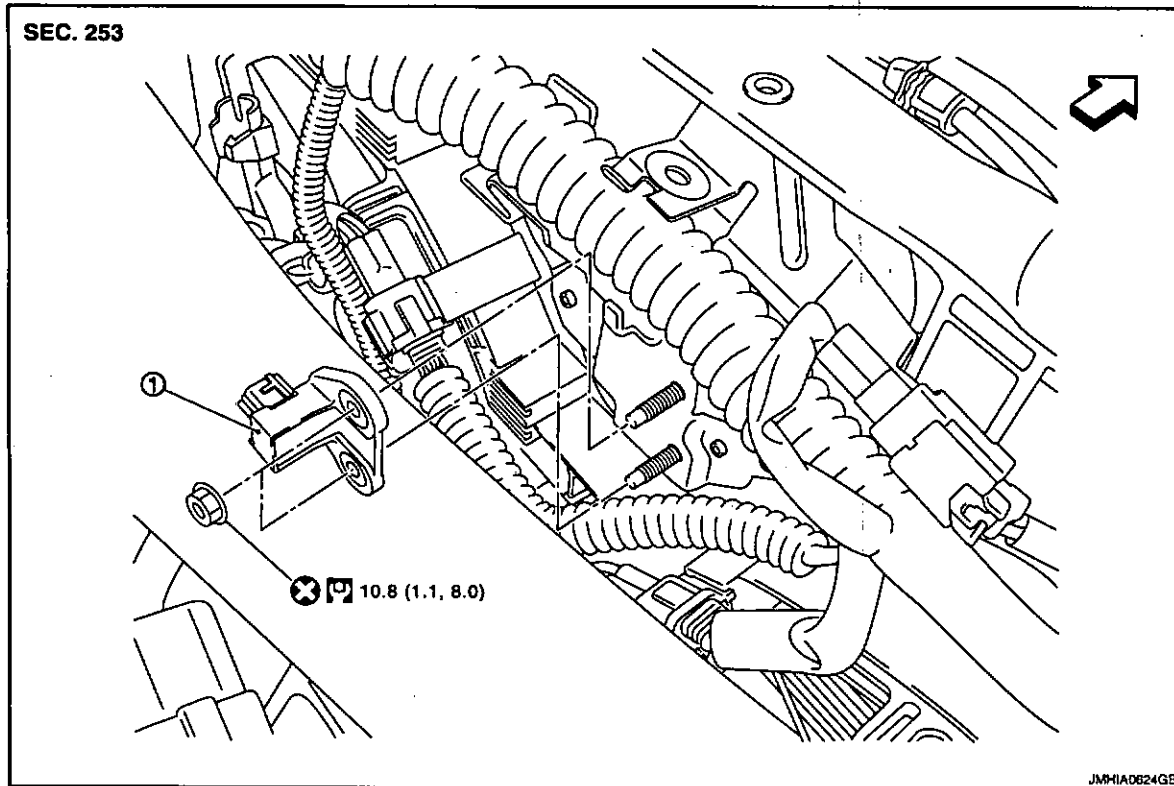
CRASH ZONE SENSOR

< ON-VEHICLE REPAIR >

CRASH ZONE SENSOR

Exploded View

INFOID:000000004549464



1. Crash zone sensor

↔ : Vehicle front

Refer to GI-4, "Components" for symbols in the figure.

Removal and Installation

INFOID:000000004549465

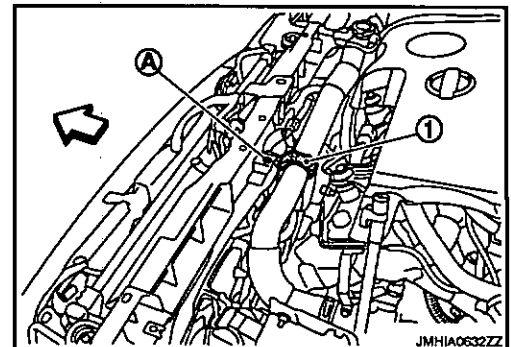
WARNING:

- Before servicing, turn ignition switch OFF, disconnect battery negative terminal and wait at least 3 minutes or more.
- Never use the air tools or electric tools for servicing.

REMOVAL

1. Remove the air duct (inlet). Refer to EM-26, "Removal and Installation".
2. Remove the radiator hose clamp (1) mounting nut (A).

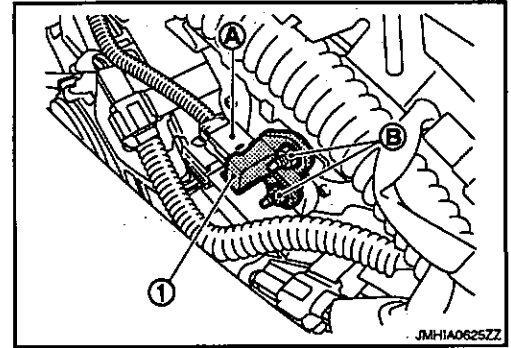
↔ : Vehicle front



CRASH ZONE SENSOR

< ON-VEHICLE REPAIR >

3. Disconnect the crash zone sensor harness connector (A).
4. Remove the crash zone sensor (1) fixing nuts (B), and then remove the crash zone sensor.



CAUTION:

- Never impact the crash zone sensor.
- Replace the crash zone sensor if it has been dropped or sustained an impact.



- Replace the crash zone sensor of deployed SRS driver air bag and deployed SRS front passenger air bag.

INSTALLATION

Install in the reverse order of removal.

CAUTION:

- Never use the old fixing nuts after removal, replace with the new nuts.
- If malfunction is detected by the air bag warning lamp, after repair or replacement of the malfunctioning parts, reset the memory using self-diagnosis. Refer to SRC-7. "Air Bag Warning Lamp Diagnosis".
- After the work is completed, check that no system malfunction is detected by air bag warning lamp.

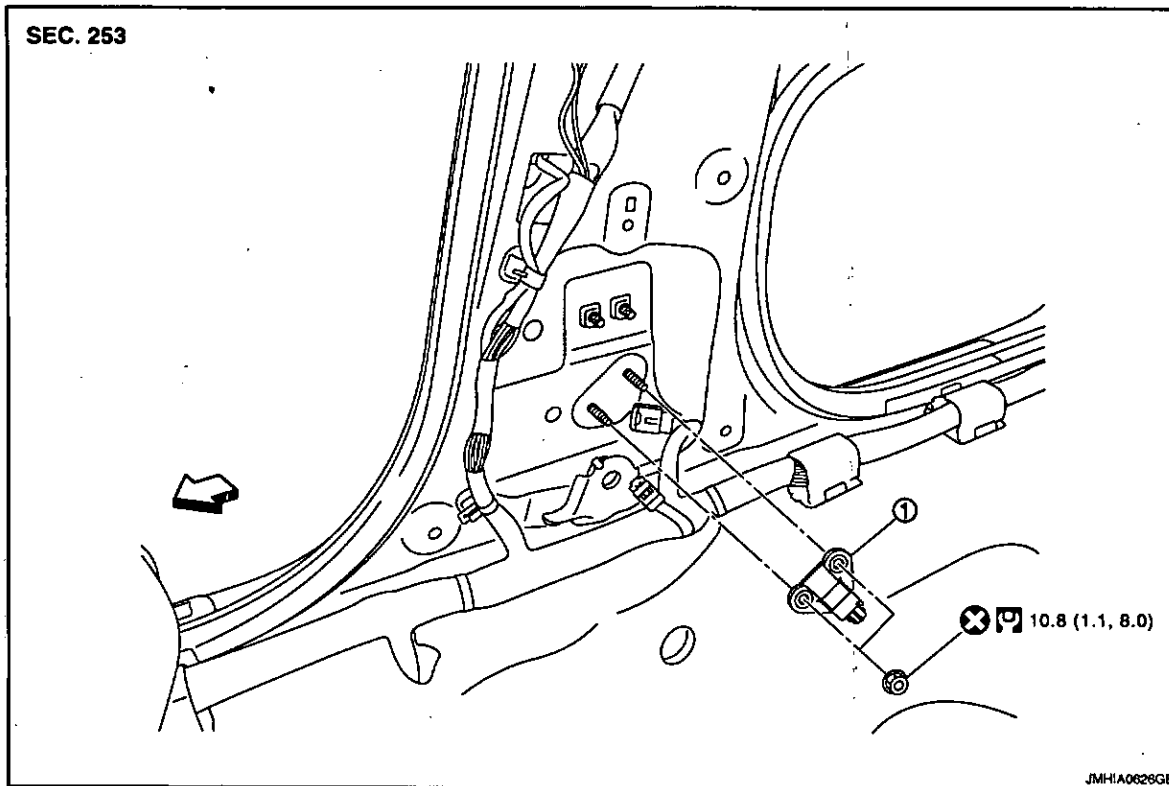
SIDE AIR BAG (SATELLITE) SENSOR

< ON-VEHICLE REPAIR >

SIDE AIR BAG (SATELLITE) SENSOR

Exploded View

INFOID:000000004549466



1. Side air bag (satellite) sensor

↔ : Vehicle front

Refer to GI-4, "Components" for symbols in the figure.

Removal and Installation

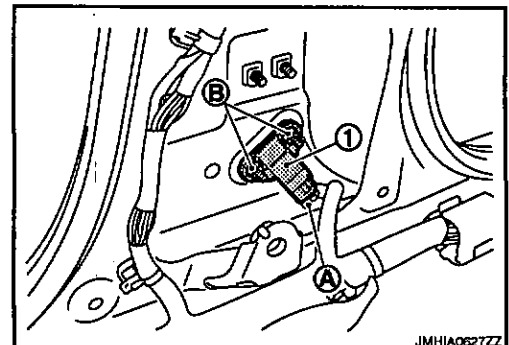
INFOID:000000004549467

WARNING:

- Before servicing, turn ignition switch OFF, disconnect battery negative terminal and wait at least 3 minutes or more.
- Never use the air tools or electric tools for servicing.

REMOVAL

1. Remove the pre-tensioner seat belt retractor. Refer to SB-6, "SEAT BELT RETRACTOR ; Removal and Installation".
2. Remove the side air bag (satellite) sensor (1) fixing nuts (B).
3. Disconnect side air bag (satellite) sensor harness connector (A), and then remove side air bag (satellite) sensor.

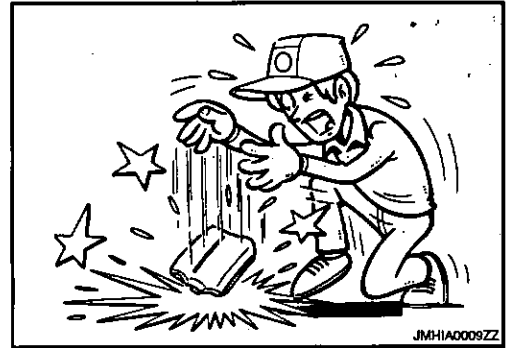


CAUTION:

SIDE AIR BAG (SATELLITE) SENSOR

< ON-VEHICLE REPAIR >

- **Never impact the side air bag (satellite) sensor.**
- **Replace the side air bag (satellite) sensor if it has been dropped or sustained an impact.**



- **Replace the side air bag (satellite) sensor of deployed SRS front side air bag and deployed SRS side curtain air bag.**

INSTALLATION

Install in the reverse order of removal.

CAUTION:

- **Never use old fixing nuts after removal; replace with new nuts.**
- **If malfunction is detected by the air bag warning lamp, after repair or replacement of the malfunctioning parts, reset the memory using self-diagnosis. Refer to SRC-7, "Air Bag Warning Lamp Diagnosis".**
- **After the work is completed, check that no system malfunction is detected by air bag warning lamp.**

A

B

C

D

E

F

G

SR

I

J

K

L

M

N

O

P

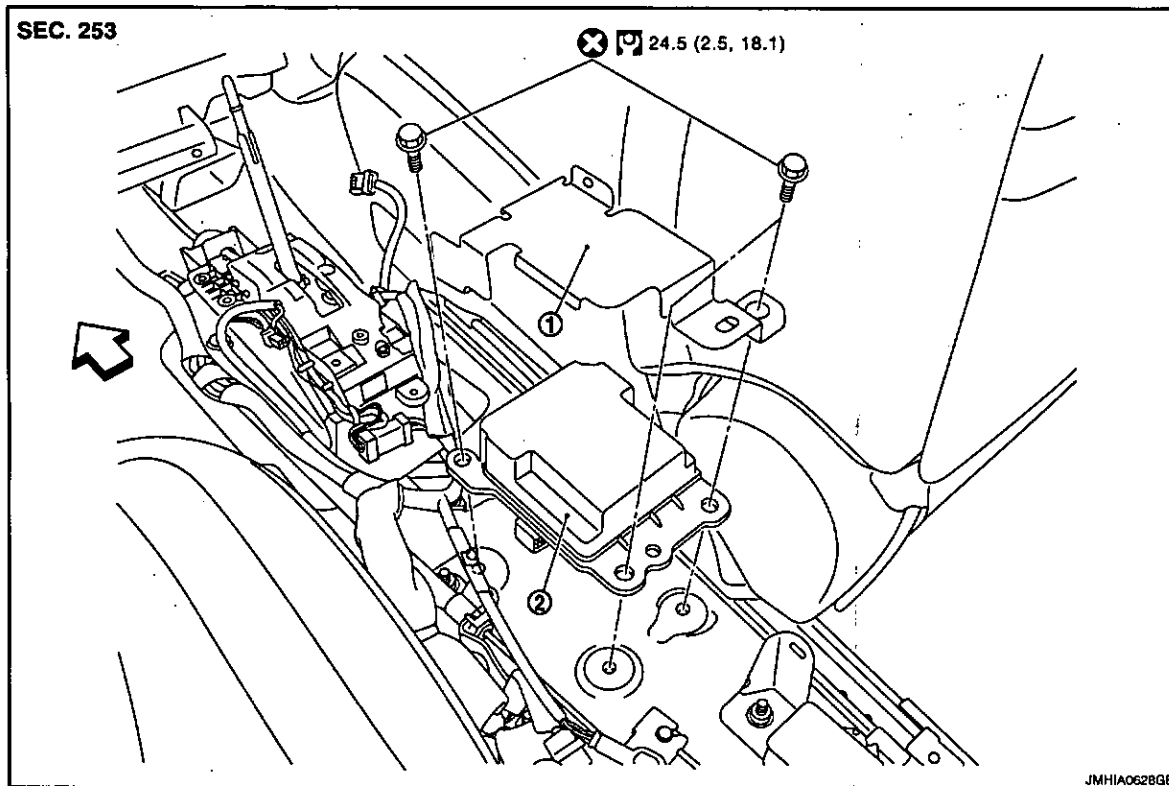
DIAGNOSIS SENSOR UNIT

< ON-VEHICLE REPAIR >

DIAGNOSIS SENSOR UNIT

Exploded View

INFOID:000000004549468



- 1. Bracket
- 2. Diagnosis sensor unit

↶ : Vehicle front

Refer to [GI-4, "Components"](#) for symbols in the figure.

Removal and Installation

INFOID:000000004549469

WARNING:

- Before servicing, turn ignition switch OFF, disconnect battery negative terminal and wait at least 3 minutes or more.
- Before disconnecting the diagnosis sensor unit harness connector, be sure to disconnect each harness connector of the air bag module and pre-tensioner seat belt to prevent air bag deployment by static electricity and pre-tensioner seat belt operation.
- Never use the air tools or electric tools for servicing.

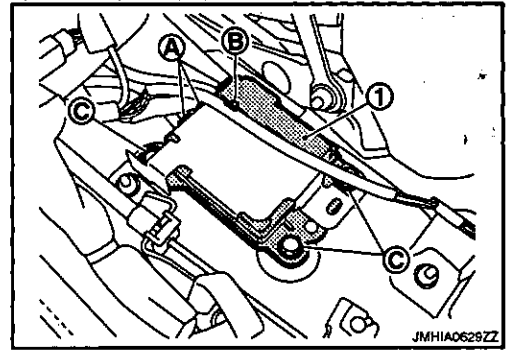
REMOVAL

1. Disconnect each connector of all air bag modules and pre-tensioner seat belts.
2. Remove the center console assembly. Refer to [IP-22, "Removal and Installation"](#).
3. Remove the rear ventilator duct 1. Refer to [VTL-17, "REAR VENTILATOR DUCT 1 : Removal and Installation"](#).

DIAGNOSIS SENSOR UNIT

< ON-VEHICLE REPAIR >

4. Disconnect the diagnosis sensor unit (1) harness connectors (A).
5. Remove the harness clip (B).
6. Remove the fixing bolts (C), and then remove the diagnosis sensor unit.



CAUTION:

- Never impact the diagnosis sensor unit.
- Replace the diagnosis sensor unit if it has been dropped or sustained an impact.



- Replace the diagnosis sensor unit of deployed SRS air bag and deployed SRS front seat belt pre-tensioner.

INSTALLATION

Install in the reverse order of removal.

CAUTION:

- Never use old fixing bolts after removal; replace with new fixing bolts.
- If malfunction is detected by the air bag warning lamp, after repair or replacement of the malfunctioning parts, reset the memory using self-diagnosis. Refer to SRC-7. "Air Bag Warning Lamp Diagnosis".
- After the work is completed, check that no system malfunction is detected by air bag warning lamp.

ECU DISCRIMINATED NO.

After replacing the diagnosis sensor unit, confirm that the diagnosis sensor unit identification is correct for the vehicle as equipped.

	Specification	ECU DISCRIMINATED No.
VQ25DE	Driver and passenger air bag, front seat belt pre-tensioner and front side air bag	AE07
	Driver and passenger air bag, front seat belt pre-tensioner, front side air bag and side curtain air bag	AE09

FRONT SEAT BELT PRE-TENSIONER

< ON-VEHICLE REPAIR >

FRONT SEAT BELT PRE-TENSIONER

Removal and Installation

INFOID:000000004649470

For removal and installation procedures, refer to SB-6, "SEAT BELT RETRACTOR : Removal and Installation".

DISPOSAL OF AIR BAG MODULE AND SEAT BELT PRE-TENSIONER

< ON-VEHICLE REPAIR >

DISPOSAL OF AIR BAG MODULE AND SEAT BELT PRE-TENSIONER

Deployment

INFOID:000000004549471

CHECKING DEPLOYMENT TOOL

Connecting to Battery

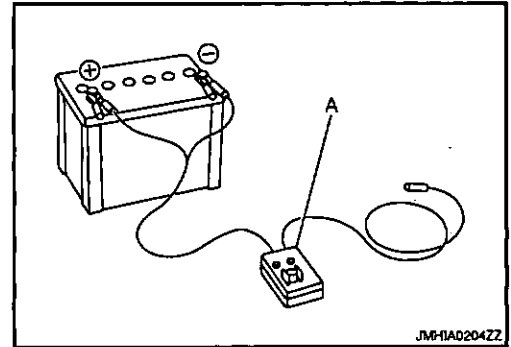
CAUTION:

The battery must show voltage of 9.6 V or more.

Remove the battery from the vehicle and place it on dry wood blocks approximately 5.0 m (16.4 ft) away from the vehicle.

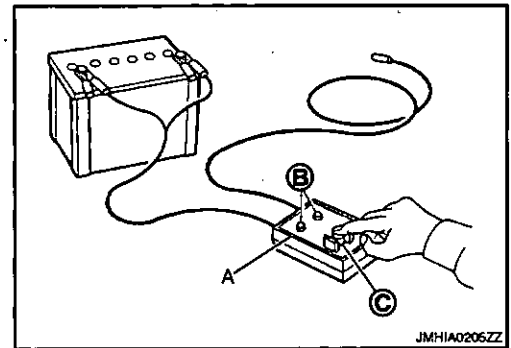
- Wait 3 minutes or more after the vehicle battery is disconnected before proceeding.
- Connect red clip of deployment tool (A) to battery positive terminal and black clip to negative terminal.

Check that the polarity is correct. The right side lamp in the tool, marked [deployment tool power], should illuminate with a green light. If the right side lamp illuminates red, reverse the connections to the battery.



Deployment Tool Check

Press the deployment tool switch (C) to the ON position. The left side lamp in the tool, marked "air bag connector voltage" should illuminate (B). If it does not illuminate, replace the deployment tool (A).



Air Bag Deployment Tool Lamp Illumination Chart (Battery Connected)

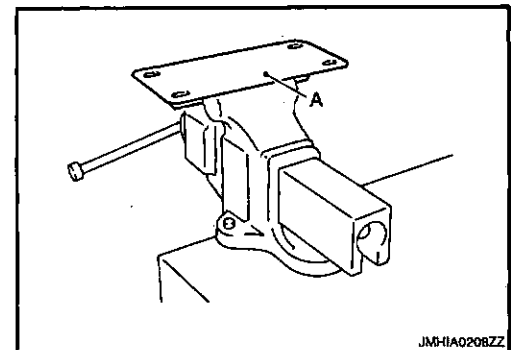
Switch operation	Left side lamp, green* [AIR BAG CONNECTOR VOLTAGE]	Right side lamp, green* [DEPLOYMENT TOOL POWER]
OFF	OFF	ON
ON	ON	ON

*: If this lamp glows red, the tool is connected to the battery incorrectly. Reverse the connections and check the lamp glows green.

DEPLOYMENT OF AIR BAG MODULE (OUTSIDE OF VEHICLE)

Driver Air Bag Module

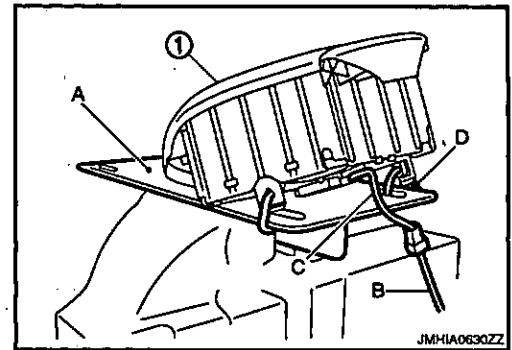
1. Unless the vehicle is being scrapped, deploying the air bag in the vehicle is not recommended. This may cause damage to the vehicle interior.
Anchor air bag module bracket (SST: KV99105300) (A) in a vice secured to a firm foundation deployment.



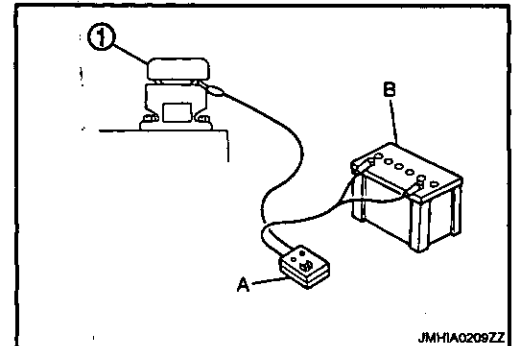
DISPOSAL OF AIR BAG MODULE AND SEAT BELT PRE-TENSIONER

< ON-VEHICLE REPAIR >

- Using wire (D), secure air bag module (1) to air bag module bracket (SST: KV99105300) (A) at two places.
CAUTION:
Use wire of at least 1.0 mm (0.039 in) diameter.
- Firmly secure air bag module bracket (SST: KV99105300) with air bag module attached, in a vise.
- Connect deployment tool adapter (SST: KV99110500) (C) to driver air bag module and deployment tool connector (SST: KV99106400) (B).

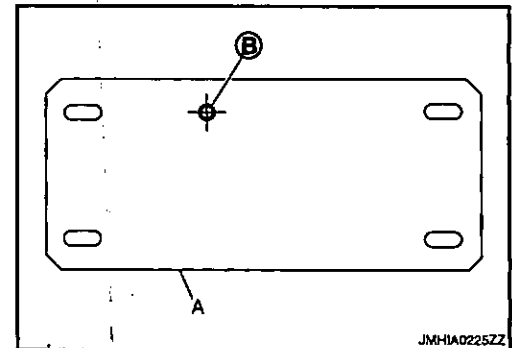


- Connect red clip of deployment tool (A) to battery positive terminal and black clip to negative terminal (B).
- The lamp on the right side of the tool, marked [deployment tool power], should illuminate green, not red.
- Press the button on the deployment tool. The left side lamp on the tool, marked [air bag connector voltage], will illuminate and the air bag module (1) will deploy.
CAUTION:
When deploying the driver air bag module, stand at least 5.0 m (16.4 ft) away from the air bag module.

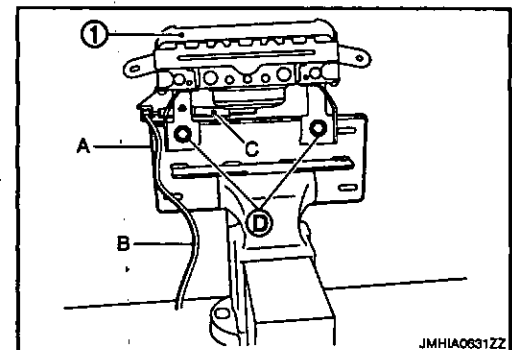


Front Passenger Air Bag Module

- Make 6.5 mm (0.256 in) diameter hole (B) in air bag module bracket (SST: KV99105300) (A) at the position shown in figure.



- Firmly secure air bag module bracket (SST: KV99105300) (A) in a vise.
- Insert two bolts (D) through air bag module bracket and air bag module lower side holes, and fix them with two nuts.
- Connect deployment tool (SST: KV99106400) (B) and deployment tool adapter (SST: KV99110500) (C) to front passenger air bag module (1).



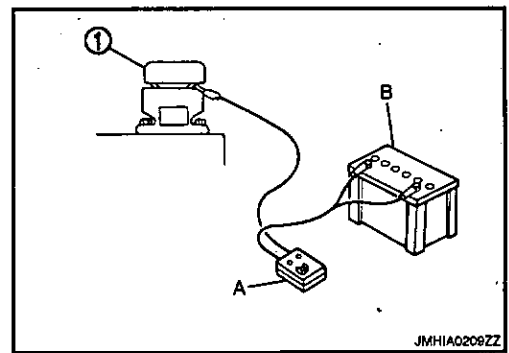
DISPOSAL OF AIR BAG MODULE AND SEAT BELT PRE-TENSIONER

< ON-VEHICLE REPAIR >

5. Connect red clip of deployment tool (A) to battery positive terminal and black clip to negative terminal (B).
6. The lamp on the right side of the tool, marked [deployment tool power], should illuminate green, not red.
7. Press the button on the deployment tool (A). The left side lamp on the tool, marked [air bag connector voltage], will illuminate and the air bag module (1) will deploy.

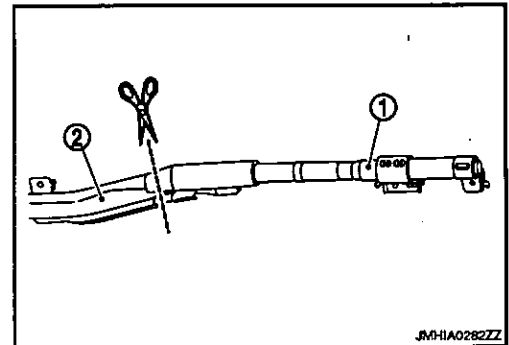
CAUTION:

- When deploying the front passenger air bag module, never stand on the deploying side.
- Stand at least 5.0 m (16.4 ft) away from the air bag module.

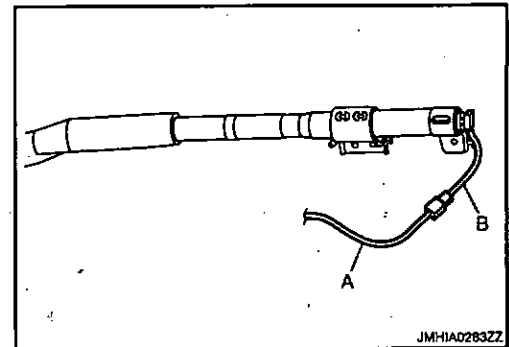


Side Curtain Air Bag Module

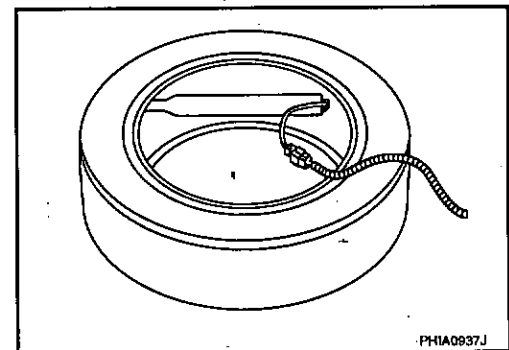
1. Cut the inflator (1) from side curtain air bag module (2).



2. Connect deployment tool (SST: KV99106400) (A) and deployment tool adapter (SST: KV99110500) (B) to the inflator.



3. Put the inflator connected with the deployment tool (SST: KV99106400) and deployment tool adapter (SST: KV99110500) into a tire without a wheel.



A
B
C
D
E
F
G
SR
I
J
K
L
M
N
O
P

DISPOSAL OF AIR BAG MODULE AND SEAT BELT PRE-TENSIONER

< ON-VEHICLE REPAIR >

- Put the tire with the inflator (1) onto another tire without a wheel. Add an additional tire without a wheel and then a tire mounted on a wheel on top.

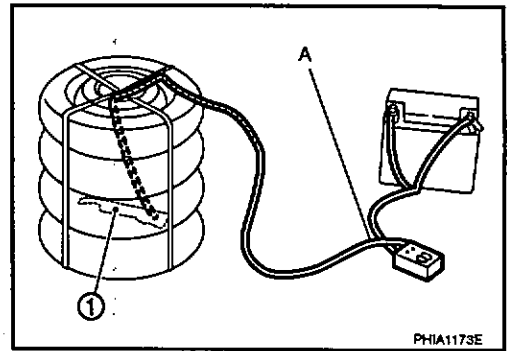
CAUTION:

Tie all tires together with a strap in order keep them standing.

- Connect red clip of deployment tool (A) to battery positive terminal and black clip to negative terminal.
- The lamp on the right side of the tool, marked [deployment tool power], should illuminate green, not red.
- Press the button on the deployment tool (A). The left side lamp on the tool, marked [air bag connector voltage], will illuminate and the air bag module inflator (1) will deploy.

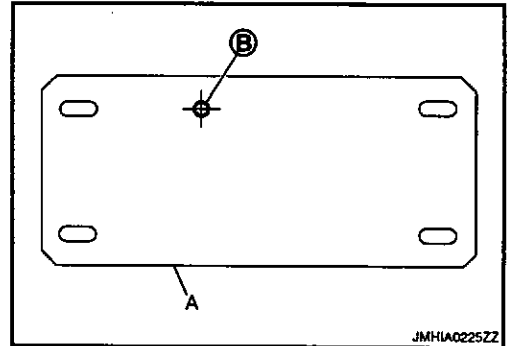
CAUTION:

When deploying the side curtain air bag module, stand at least 5.0 m (16.4 ft) away from the side curtain air bag module.

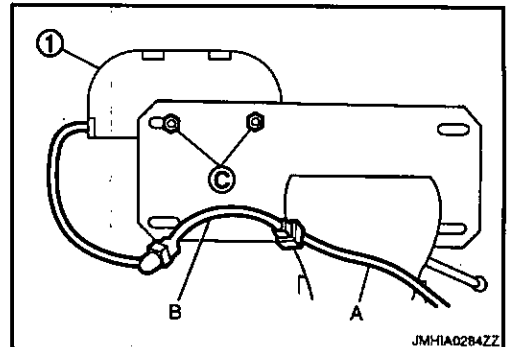


Front Side Air Bag Module

- Make 6.5 mm (0.256 in) diameter hole (B) in air bag module bracket (SST: KV99105300) (A) at the position shown in figure.



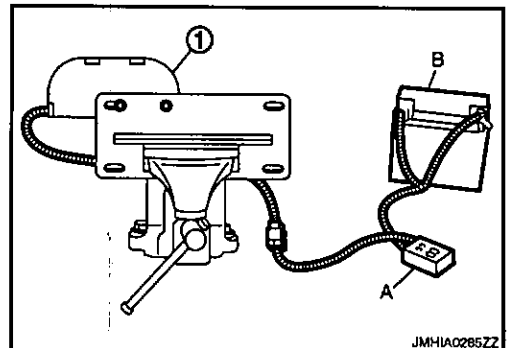
- Firmly secure air bag module bracket in a vise.
- Insert two bolts through air bag module bracket and air bag module upper side holes, and fix them with two nuts (C).
- Connect deployment tool (SST: KV99106400) (A) and deployment tool adapter (SST: KV99108300) (B) to air bag module connector.



- Connect red clip of deployment tool (SST: KV99106400) (A) to battery positive terminal and black clip to negative terminal (B).
- The lamp on the right side of the tool, marked [deployment tool power], should illuminate green, not red.
- Press the button on the deployment tool. The left side lamp on the tool, marked [air bag connector voltage], will illuminate and the air bag module (1) will deploy.

CAUTION:

When deploying the front side air bag module, stand at least 5.0 m (16.4 ft) away from the air bag module.

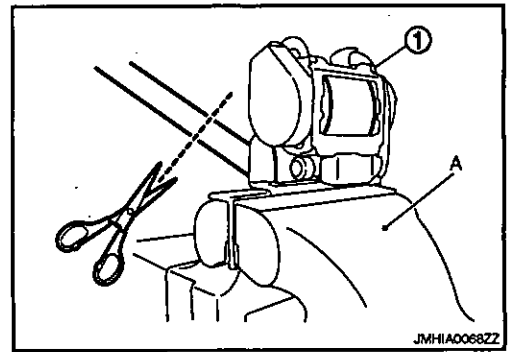


Front Seat Belt Pre-Tensioner (Outside of Vehicle)

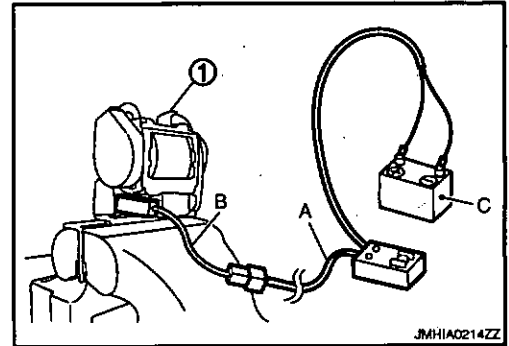
DISPOSAL OF AIR BAG MODULE AND SEAT BELT PRE-TENSIONER

< ON-VEHICLE REPAIR >

1. Firmly grip pre-tensioner (1) in a vise (A) and cut off the webbing.



2. Connect deployment tool (SST: KV99106400) (A) and deployment tool adapter (SST: KV99110500) (B) yellow connector to front seat belt pre-tensioner (1).
3. Connect red clip of deployment tool to battery positive terminal and black clip to negative terminal (C).
4. The lamp on the right side of the tool, marked [deployment tool power], should illuminate green, not red.
5. Press the button on the deployment tool. The left side lamp on the tool, marked [seat belt pre-tensioner connector voltage], will illuminate and the seat belt pre-tensioner (1) will deploy.

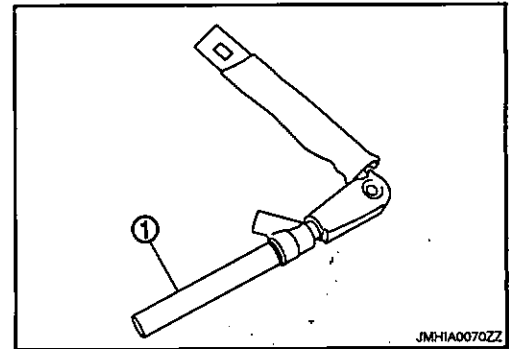


CAUTION:

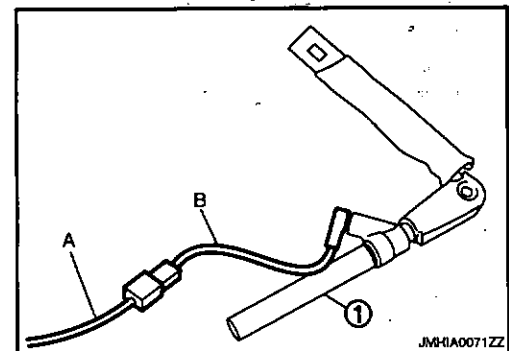
When deploying the front seat belt pre-tensioner, stand at least 5.0 m(16.4 ft) away from the seat belt pre-tensioner.

Front Seat Belt Pre-Tensioner 2 (Outside of Vehicle)

1. Disconnect the webbing of front seat belt pre-tensioner 2 (1).



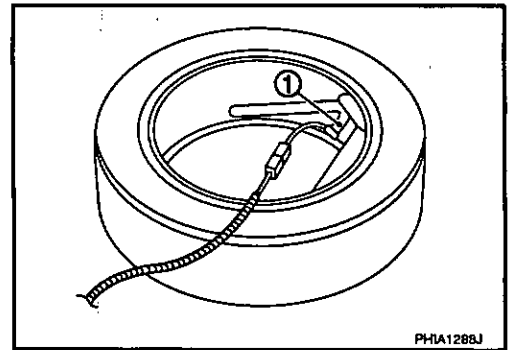
2. Connect deployment tool (SST: KV99106400) (A) and deployment tool adapter (SST: KV99110500) (B) orange connector to front seat belt pre-tensioner 2 (1).



DISPOSAL OF AIR BAG MODULE AND SEAT BELT PRE-TENSIONER

< ON-VEHICLE REPAIR >

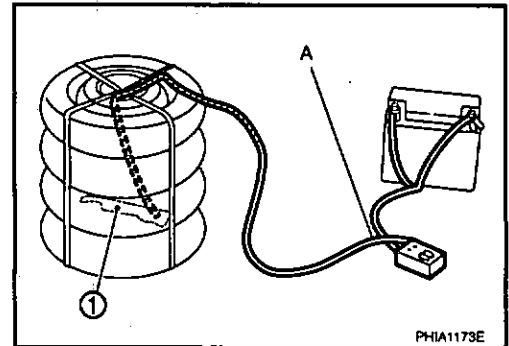
- Put the front seat belt pre-tensioner 2 (1) connected with the deployment tool into a tire without a wheel.



- Connect red clip of deployment tool (A) to battery positive terminal and black clip to negative terminal.
- The lamp on the right side of the tool, marked [deployment tool power], should glow green, not red.
- Press the button on the deployment tool. The left side lamp on the tool, marked [front seat belt pre-tensioner 2 connector voltage], will illuminate and the front seat belt pre-tensioner 2 (1) will deploy.

CAUTION:

When deploying the front seat belt pre-tensioner 2, stand at least 5.0 m(16.4 ft) away from the front seat belt pre-tensioner 2.



Disposal

INFOID:000000004549472

DISPOSING OF AIR BAG MODULE AND SEAT BELT PRE-TENSIONER

Deployed air bag module and seat belt pre-tensioner are very hot. Before disposing of air bag module and seat belt pre-tensioner, wait at least 30 minutes, and 10 minutes, respectively. Seal them in a plastic bag before disposal.

CAUTION:

- Never apply water to a deployed air bag module or seat belt pre-tensioner.
- Wear gloves when handling a deployed air bag module or seat belt pre-tensioner.
- No poisonous gas is produced upon air bag module deployment. However, be careful not to inhale gas since it irritates the throat and can cause choking.
- Never disassemble air bag module and seat belt pre-tensioner.
- Air bag module and seat belt pre-tensioner cannot be reused.
- Wash your hands clean after the work is complete.

