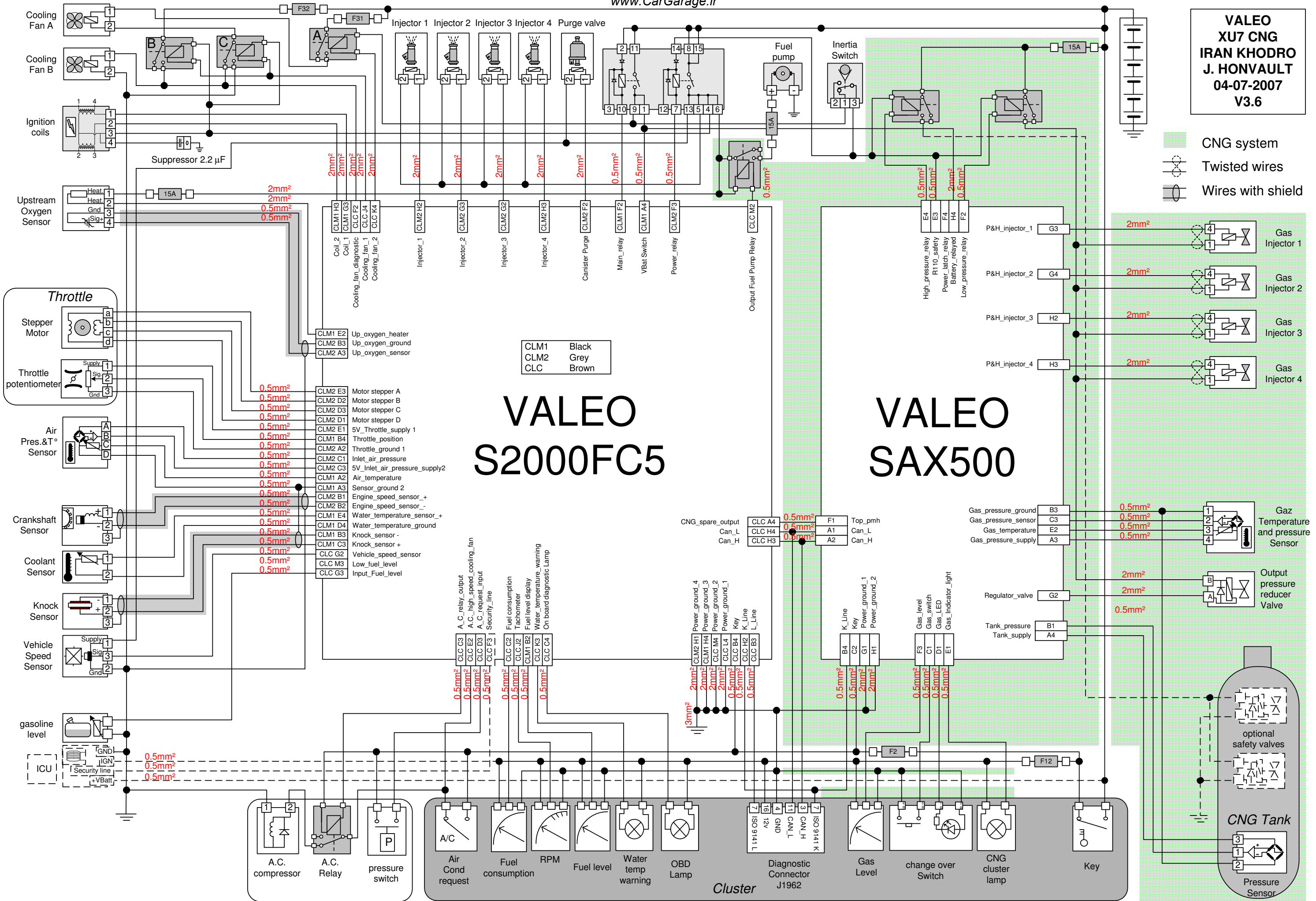


VALEO  
XU7 CNG  
IRAN KHODRO  
J. HONVAULT  
04-07-2007  
V3.6

- CNG system
- Twisted wires
- Wires with shield



# VALEO S2000FC5

# VALEO SAX500

CLM1 Black  
CLM2 Grey  
CLC Brown

**Throttle**

Stepper Motor

Throttle potentiometer

Crankshaft Sensor

Coolant Sensor

Knock Sensor

Vehicle Speed Sensor

gasoline level

ICU

A.C. compressor

A.C. Relay

pressure switch

Air Cond request

Fuel consumption

RPM

Fuel level

Water temp warning

OBD Lamp

Diagnostic Connector J1962

Gas Level

change over Switch

CNG cluster lamp

Key

Gas Injector 1

Gas Injector 2

Gas Injector 3

Gas Injector 4

Gas Temperature and pressure Sensor

Output pressure reducer Valve

Regulator valve

Tank pressure

Tank supply

optional safety valves

CNG Tank

Pressure Sensor

Cluster