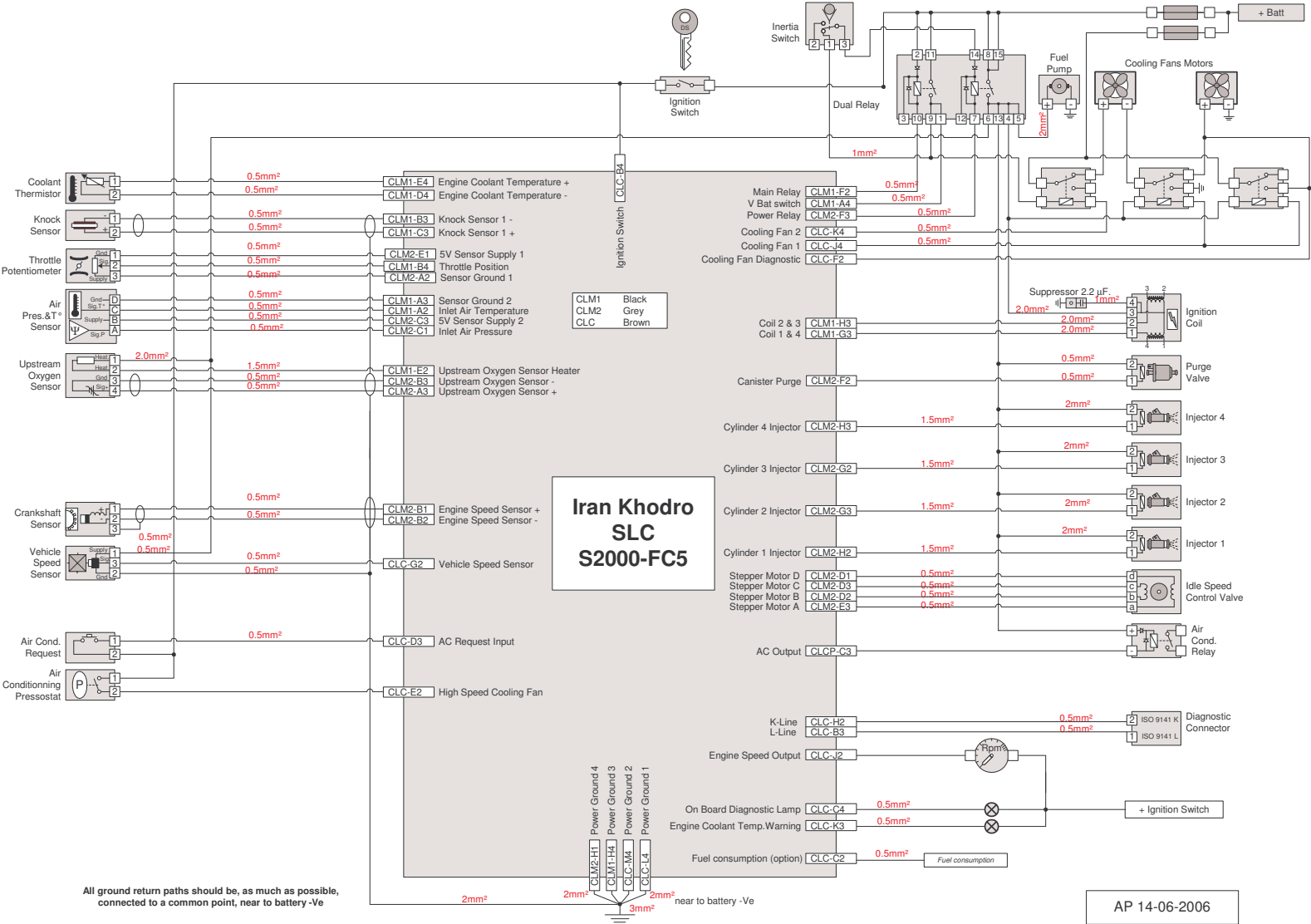


**4 SCHEMATIC DIAGRAM**

**4.1 IRAN KHODRO XU7 SLC**



AP 14-06-2006