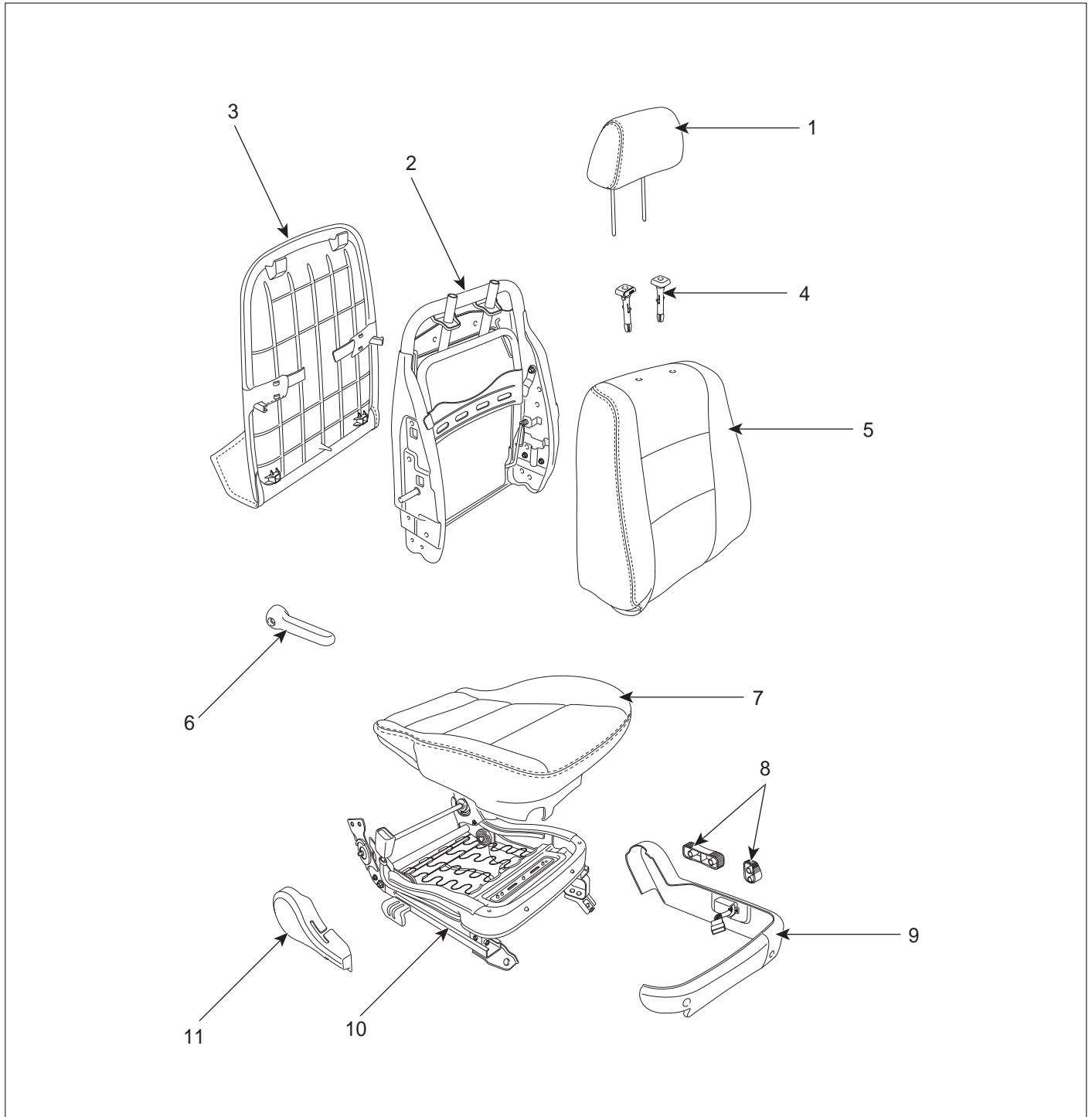


## SEAT

## FRONT SEAT

COMPONENTS E242FCAE

1. Seat back cushion
2. Seat back frame
3. Seat back panel
4. Seat cushion
5. Seat cushion frame
6. Lumber sport lever

7. Recliner lever
8. Schild cover
9. Recliner cover
10. Headrest guide
11. Headrest

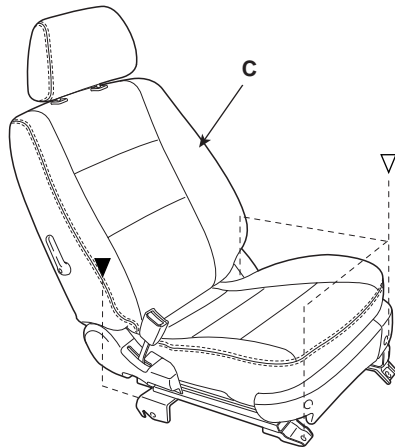
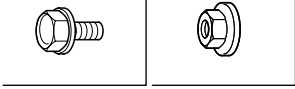
## REPLACEMENT E512CD5F

## SEAT ASSEMBLY REPLACEMENT

1. Remove the seat assembly mounting cover.
2. After loosening the seat assembly mounting bolts and nuts, remove the seat assembly (C).

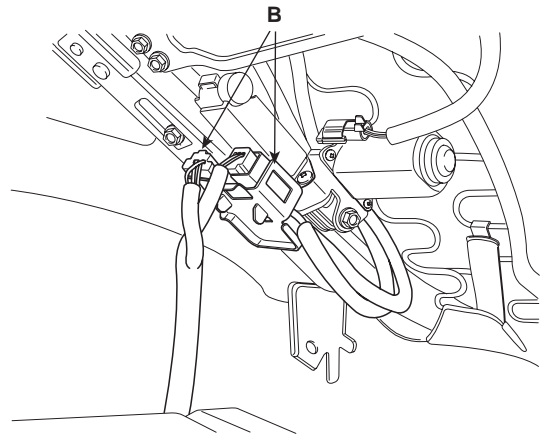
## Fastener Locations

▷ : Bolt, 3      ▶ : Nut, 1



SBLBD6028L

3. Disconnect the connector (B).



SBLBD6500D

4. Installation is the reverse of removal.

**⚠ CAUTION**

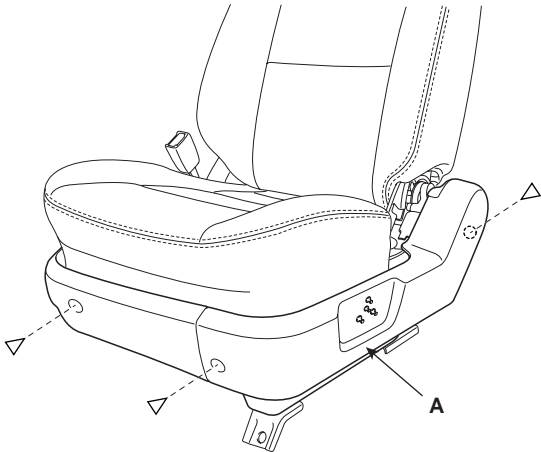
**SEAT MOUNTING BOLT INSTALLATION PROCEDURE**

- **Set the into the most rearward position. Check then each slide is locked, and then tighten the front mounting bolt temporarily.**
- **Set the seat into most forward position. Check that each slide is locked, and then tighten the rear mounting bolt completely.**
- **Set the seat into the most rearward position. Check the front mounting bolt completely.**
- **Check that the seat operates to and fro smoothly and the locking portion locks properly.**

SEAT BACK COVER REPLACEMENT

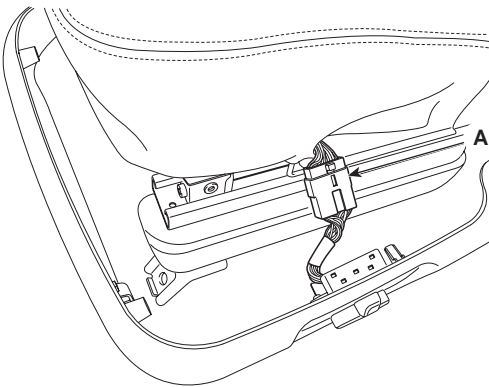
- 1. Remove front seat assembly.(Refer to page BD-14)
- 2. Remove the cover (A).

▷ : Screw Locations, 3



SBLBD6030L

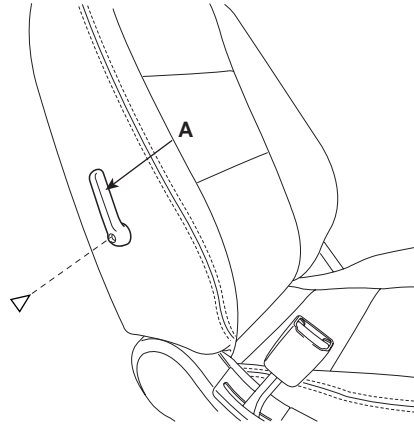
- 3. Disconnect the protector (A).



SBLBD6087D

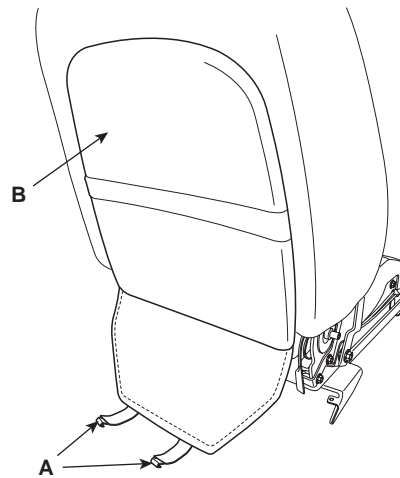
- 4. Remove the lumbar support lever (A).

▷ : Screw Locations, 1



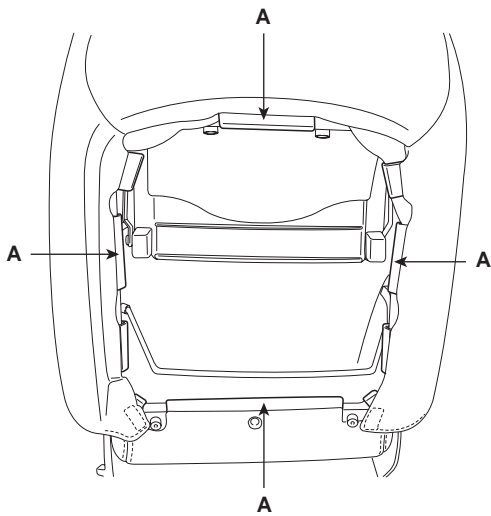
SBLBD6031L

- 5. After disconnecting the scuff band (A), remove the seat back panel (B).



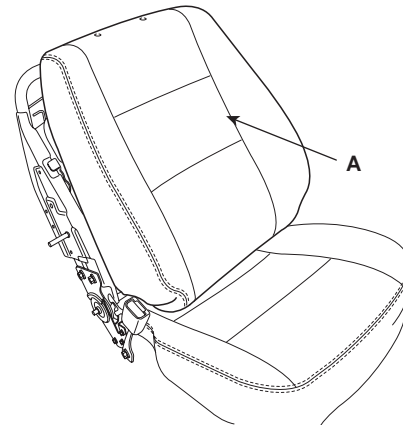
SBLBD6032D

6. Disconnect the protector (A) from the back frame.



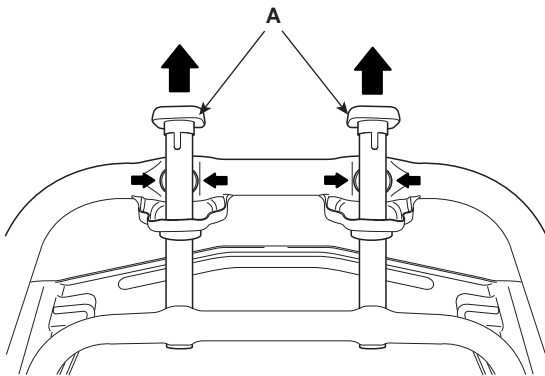
SBLBD6033D

9. Remove the seat back cushion (A).



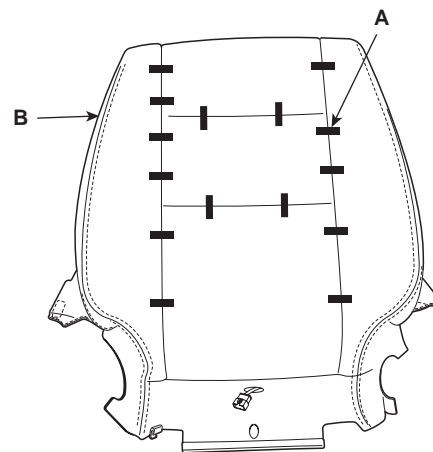
SBLBD6036D

7. Remove the headrest and headrest guide (A).



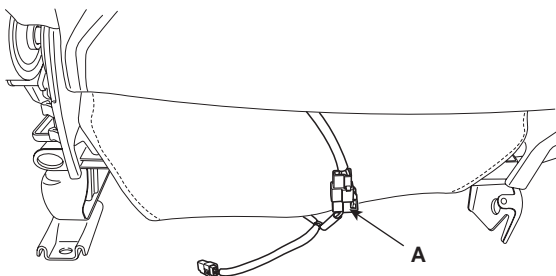
SBLBD6034D

10. After removing the hog-ring clip (A) on the front of seat cushion and remove the seat cushion cover (B).



SBLBD6037D

8. Disconnect the connector (A).



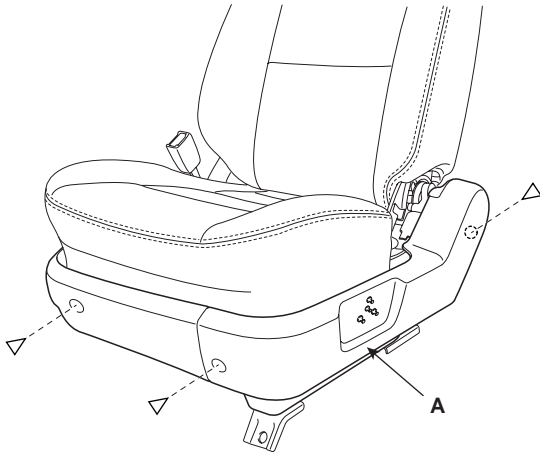
SBLBD6035D

11. Installation is the reverse of removal.

SEAT CUSHION COVER REPLACEMENT

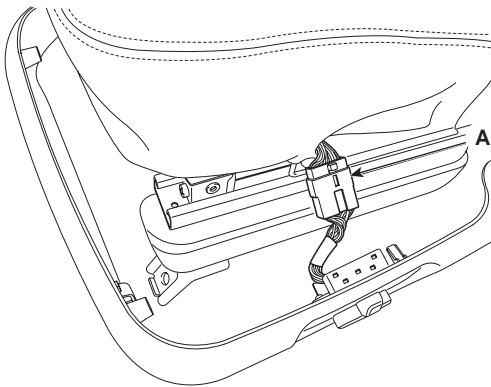
- 1. Remove front seat assembly.(Refer to page BD-14)
- 2. Remove the recliner cover (A).

▷ : Screw Locations, 3



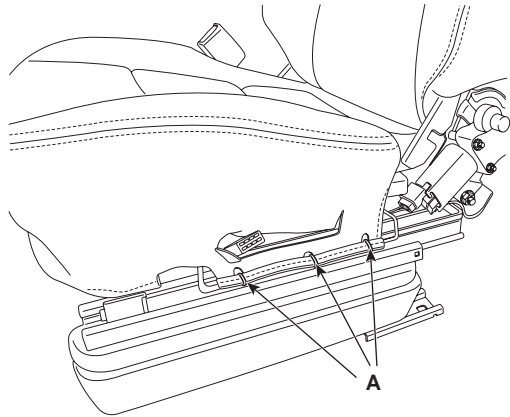
SBLBD6030L

- 3. Disconnect the protector (A).



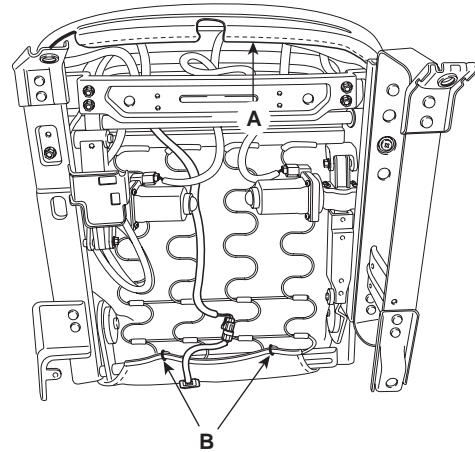
SBLBD6087D

- 4. Removing the hog-ring clip (A).



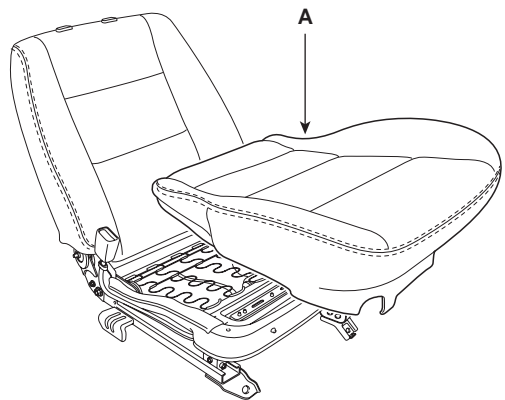
SBLBD6038D

- 5. Remove the hog-ring clip (B) and bend (A).



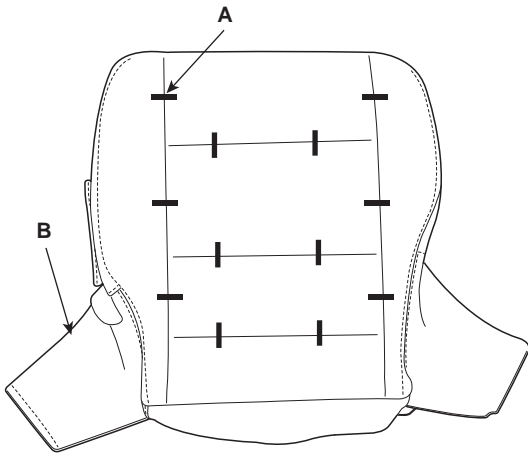
SBLBD6039D

- 6. Remove the seat cushion (A).



SBLBD6040D

7. After removing the hog-ring clip (A) on the front of seat cushion and remove the seat cushion cover (B).



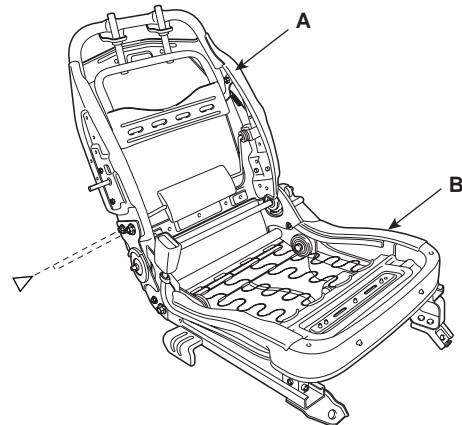
SBLBD6041D

8. Installation is the reverse of removal.

**SEAT FRAME REPLACEMENT**

1. Remove the following items.
  - Seat back cushion.(Refer to page BD-15)
  - Seat cushion.(Refer to page BD-17)
2. After loosening the mounting bolts, then disconnect the seat back frame (A) and seat cushion frame (B).

▷ : Bolt Locations, 4

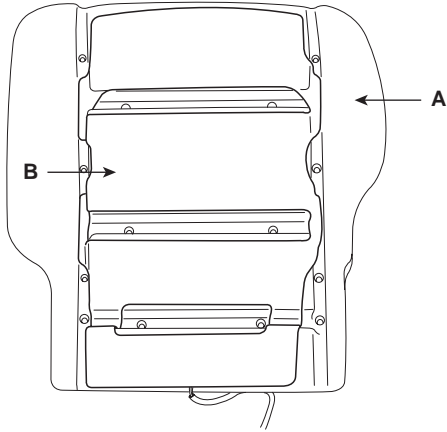


SBLBD6042L

3. Installation is the reverse of removal.

**SEAT BACK HEATER REPLACEMENT**

1. Remove the seat back cover.(Refer to page BD-15)
2. Seat back pad replacement (A).

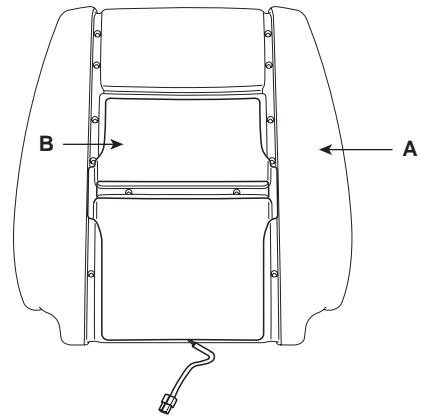


SBLBD6043D

3. Installation is the reverse of removal.

**SEAT CUSHION HEATER REPLACEMENT**

1. Remove the seat back cover.(Refer to page BD-17)
2. Seat cushion pad replacement (A).



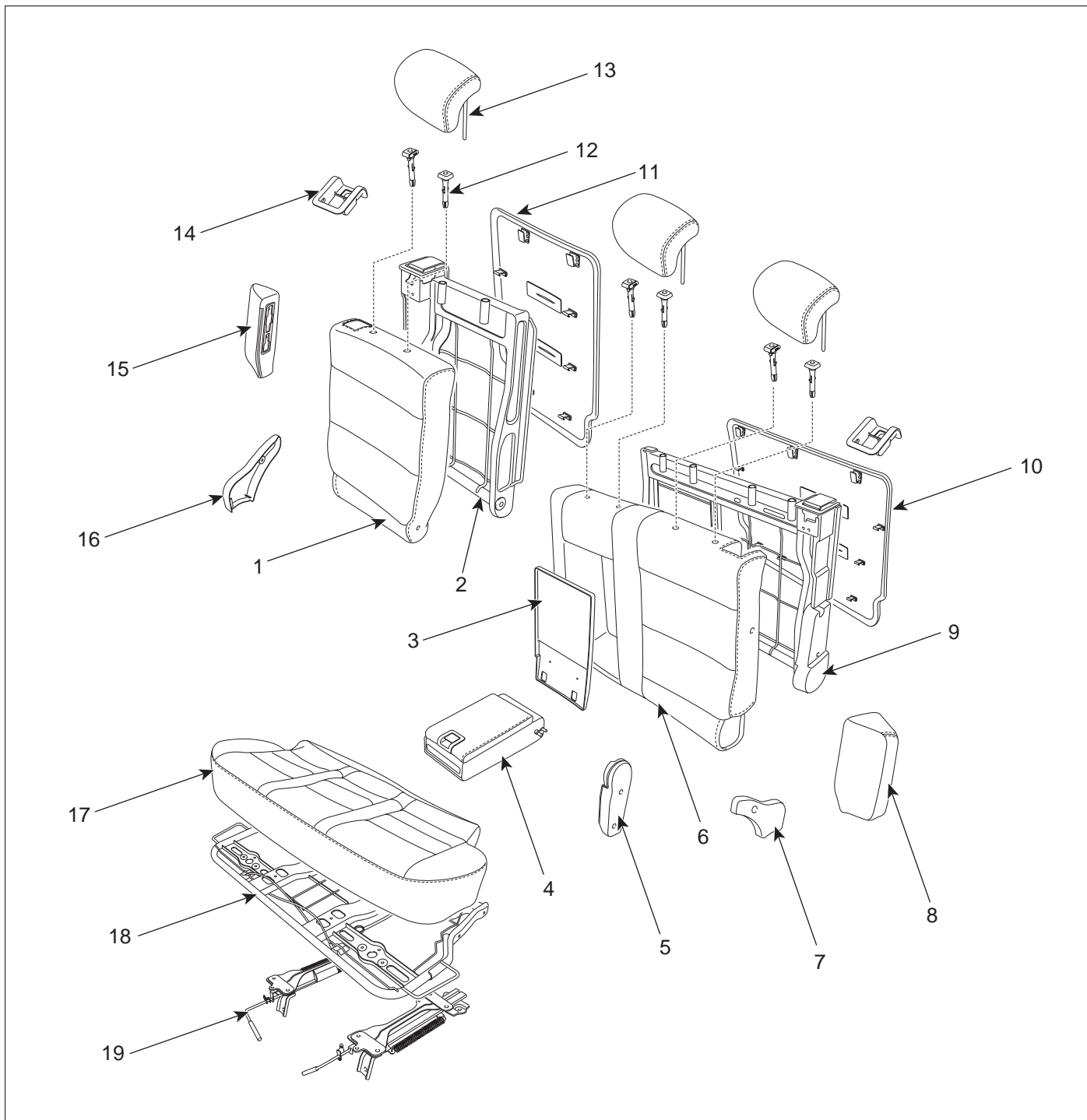
SBLBD6044D

3. Installation is the reverse of removal.

REAR SEAT

COMPONENTS EBAF8F93

SECONDARY SEAT



- 1. Seat back cushion
- 2. Seat back frame
- 3. Seat back panel
- 4. Seat back cushion
- 5. Seat back frame
- 6. Seat back frame
- 7. Seat cushion

- 8. Seat cushion frame
- 9. Seat slide rail
- 10. Armrest
- 11. Recliner cover
- 12. Side cover
- 13. Seat side back

- 14. Side cover
- 15. Seat side back
- 16. Recliner lever cover
- 17. Headrest
- 18. Headrest guide
- 19. Inner back cover





REPLACEMENT EEEEF265

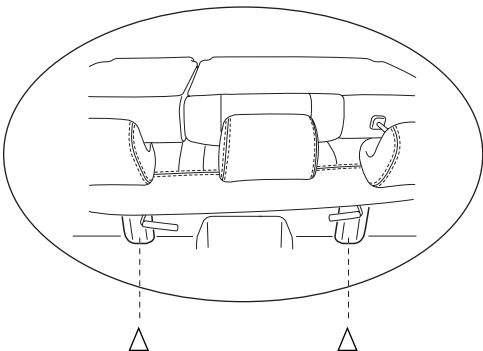
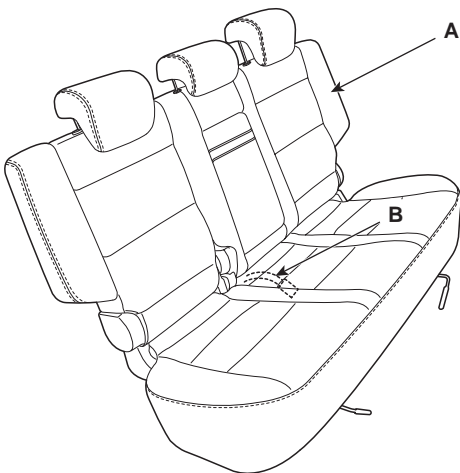
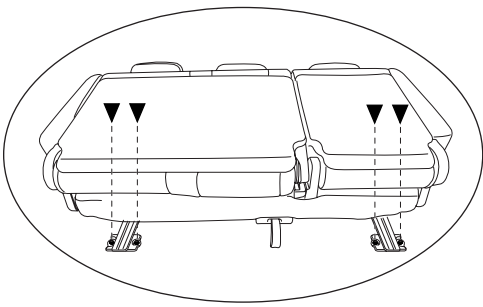
SECONDARY SEAT

SEAT ASSEMBLY REPLACEMENT

1. Loosen the mounting bolt, then remove the seat assembly (A).

Fastener Locations

▷ : Bolt      ▶ : Nut, 4

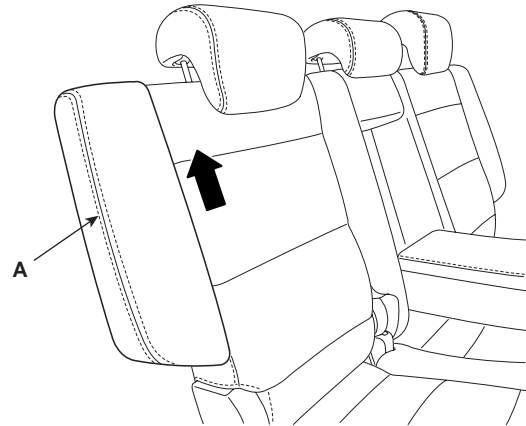


2. Installation is the reverse of removal.

SBLBD6501L

SEAT BACK COVER REPLACEMENT

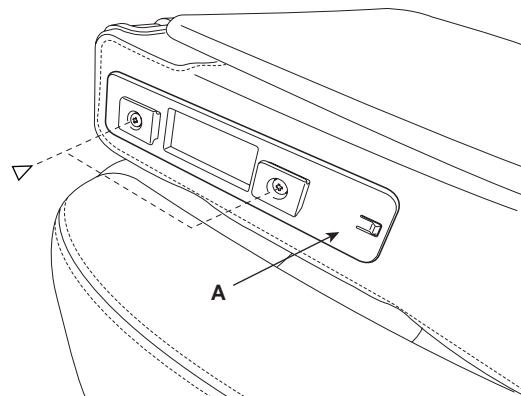
1. Remove the side seat back (A).



SBLBD6046D

2. Remove the side seat back guide (A).

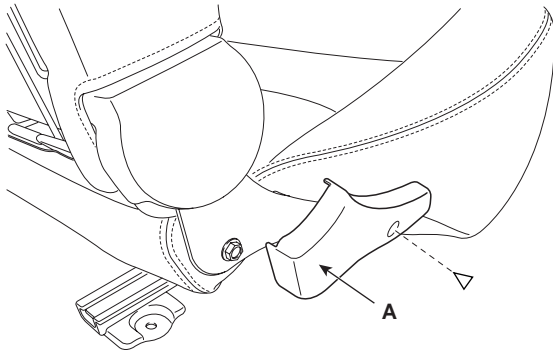
▷ : Screw Locations



SBLBD6047L

3. Remove the recliner cover (A).

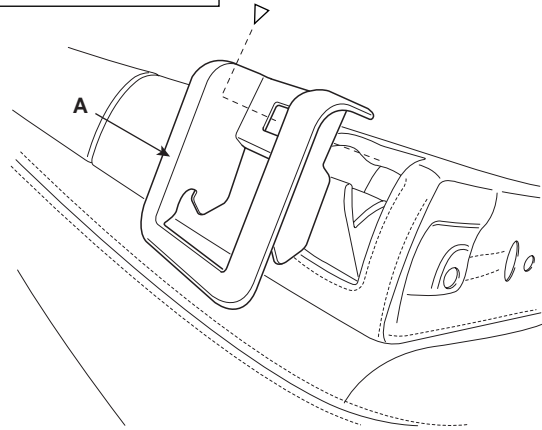
▷ : Screw Locations, 1



SBLBD6048L

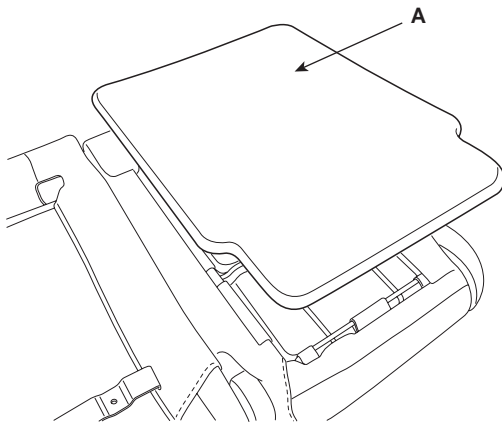
5. Remove the recliner lever cover (A).

▷ : Screw Locations, 1



SBLBD6050L

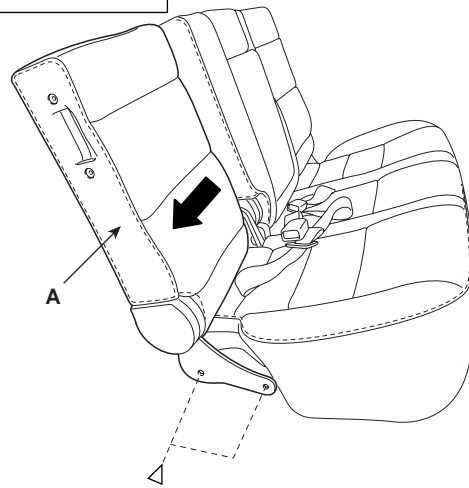
4. Remove the seat back panel (A).



SBLBD6049D

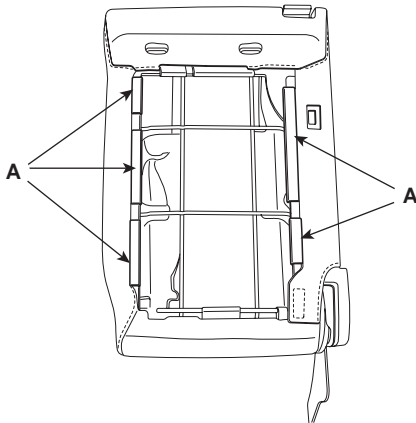
6. Remove the seat back (A).

▷ : Bolt Locations, 2



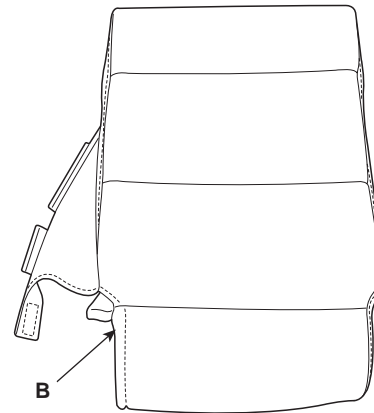
SBLBD6051L

7. Disconnect the protector (A).



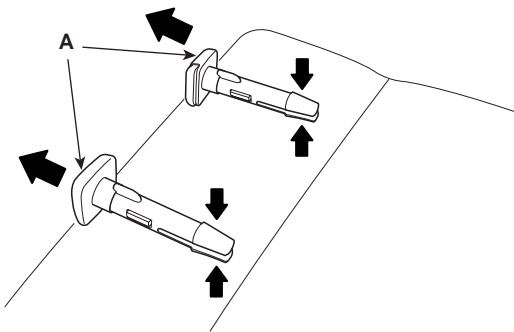
SBLBD6052D

10. After removing the hog-ring clip (A) on the front of seat cushion and remove the seat cushion cover (B).



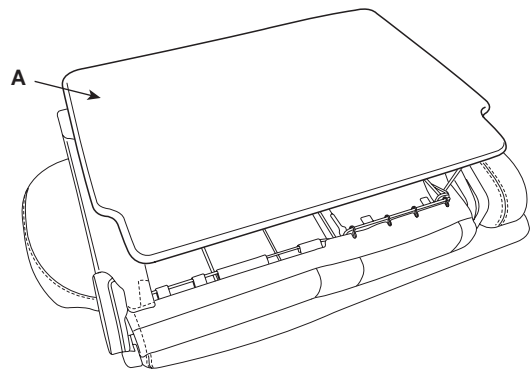
SBLBD6055D

8. Remove the headrest and headrest guide (A).



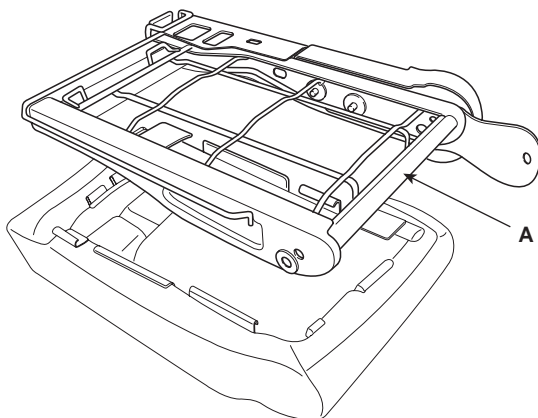
SBLBD6053D

11. Remove the seat back panel (A).



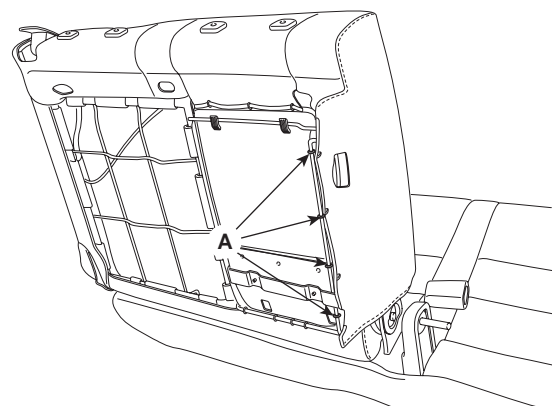
SBLBD6056D

9. Remove the seat frame (A).



SBLBD6054D

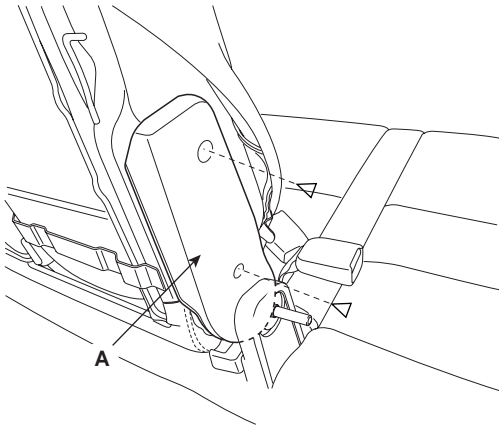
12. Remove the hog-ring clips (A).



SBLBD6057D

13. Remove the recliner cover (A).

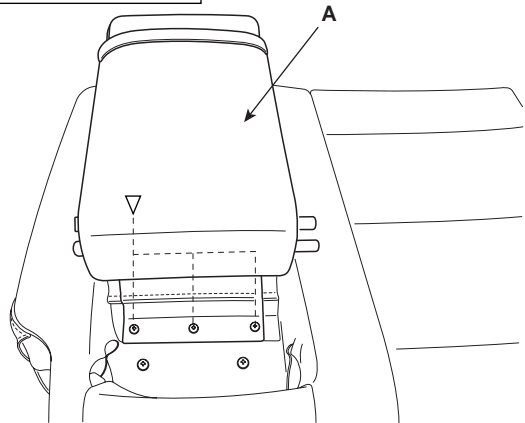
▷ : Screw Locations, 2



SBLBD6058L

15. Remove the armrest (A).

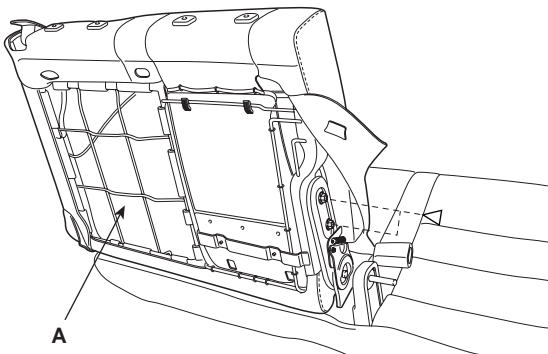
▷ : Screw Locations, 3



SBLBD6060L

14. Remove the seat back assembly (A).

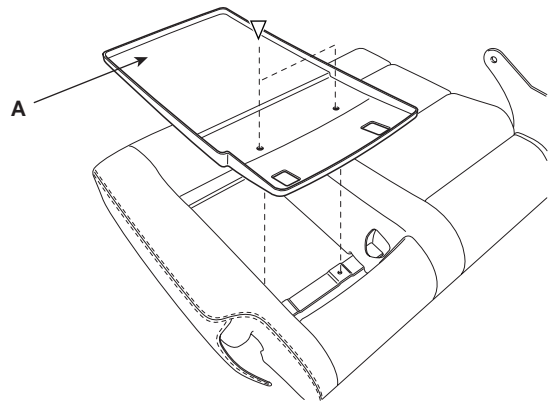
▷ : Bolt Locations, 4



SBLBD6059L

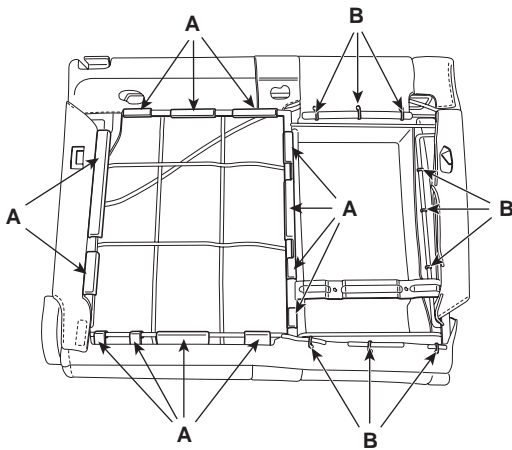
16. Remove the armrest rear panel (A).

▷ : Screw Locations, 2



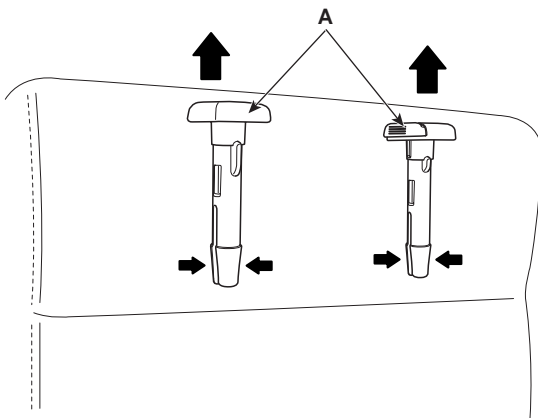
SBLBD6061L

17. Remove the protector (B) and hog-ring clips (A).



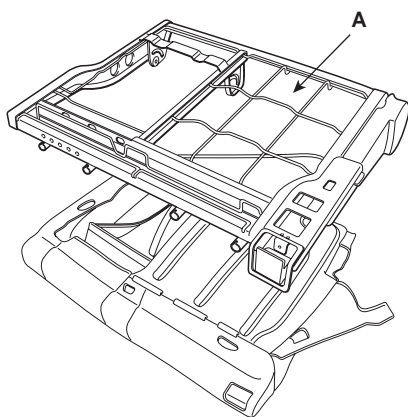
SBLBD6062D

18. Remove the headrest and headrest guide (A).



SBLBD6063D

19. Remove the seat back frame (A).



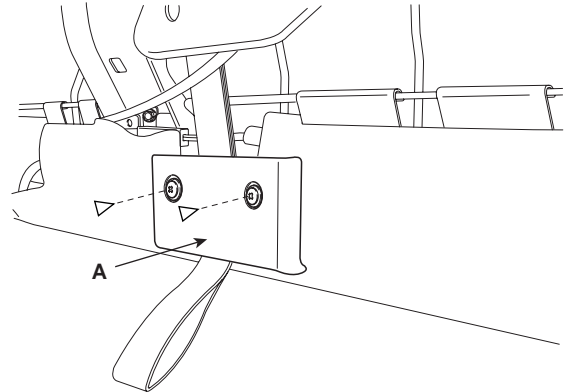
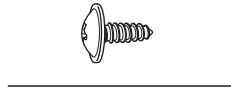
SBLBD6064D

20. Installation is the reverse of removal.

SEAT CUSHION COVER REPLACEMENT

1. Remove the cover (A).

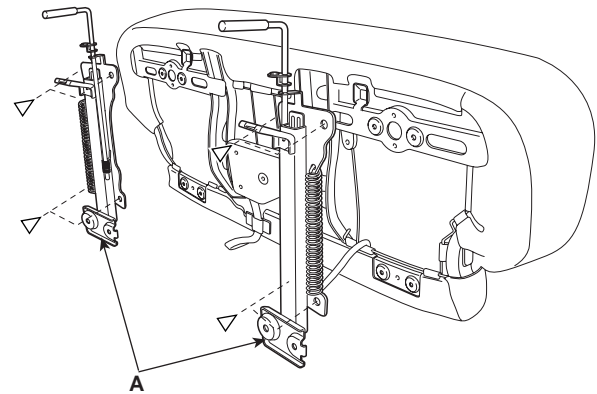
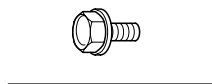
▷ : Screw Locations, 2



SBLBD6065L

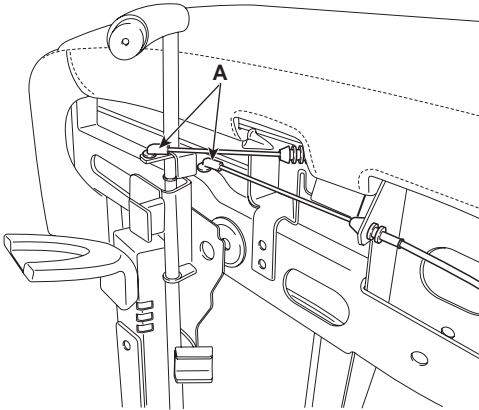
2. After loosening the mounting bolts, then remove the rail assembly (A).

▷ : Bolt Locations, 4



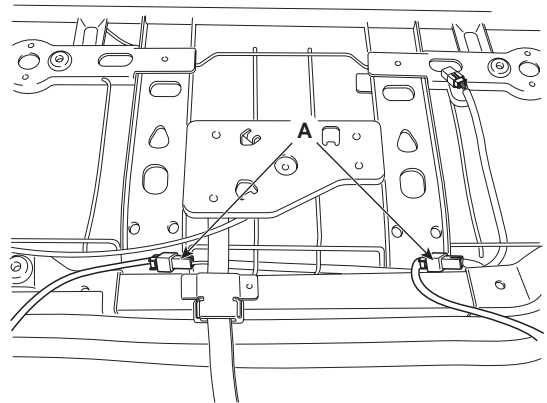
SBLBD6066L

3. Remove the sliding cable (A).



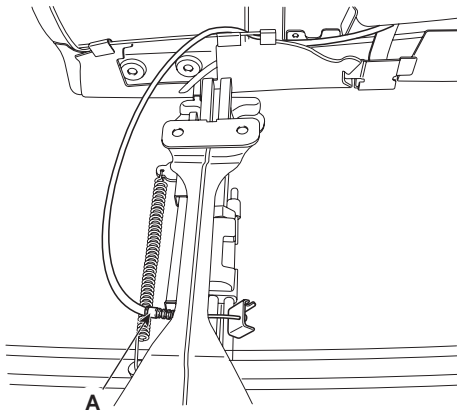
SBLBD6067D

6. Disconnect the connector (A).



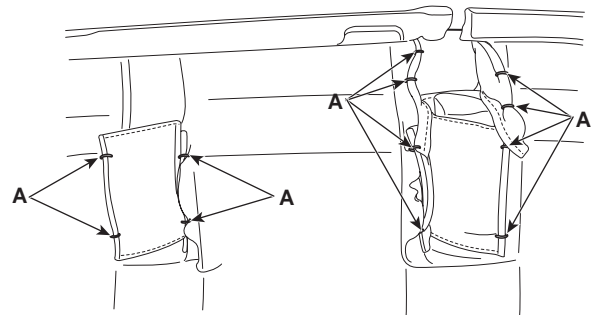
SBLBD6070D

4. Remove the cable (A).



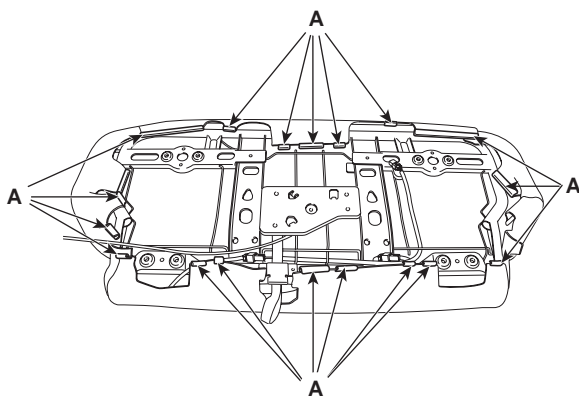
SBLBD6068D

7. Remove the hog-ring clips (A).



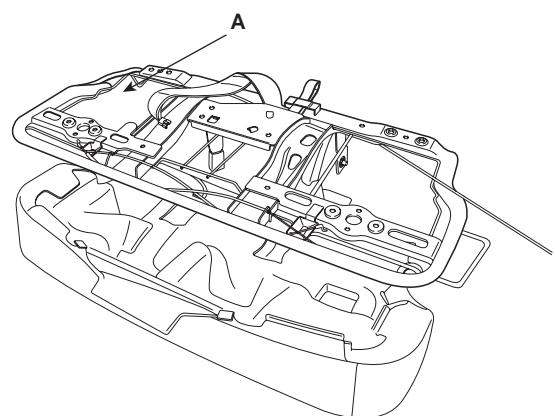
SBLBD6088D

5. Remove the protector (B).



SBLBD6069D

8. Remove the seat cushion frame (A).

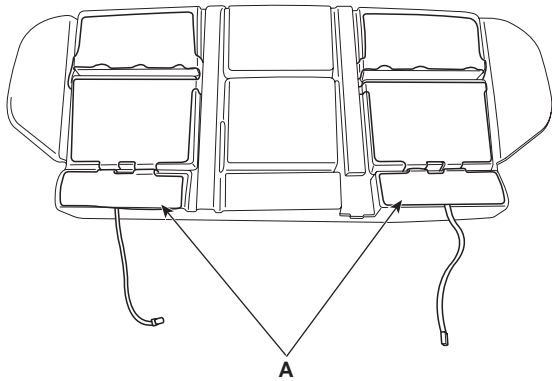


SBLBD6071D

9. Installation is the reverse of removal.

**REAR SEAT HEATER REPLACEMENT**

1. Remove the seat cushion cover.(Refer to page BD-26)
2. Remove the heater (A).



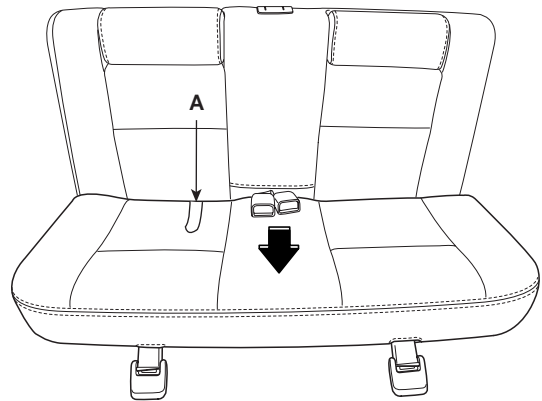
SBLBD6072D

3. Installation is the reverse of removal.

**THIRD SEAT**

**SEAT ASSEMBLY REPLACEMENT**

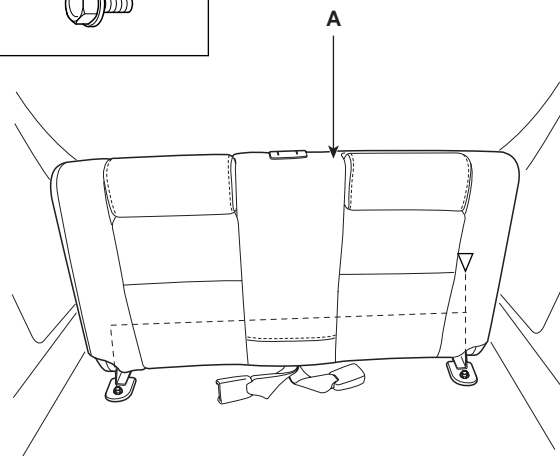
1. Remove the seat cushion (A).



SBLBD6073D

2. Loosen the mounting bolts (A).

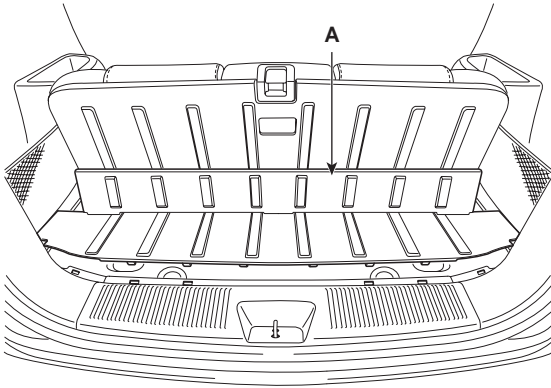
▷ : Bolt Locations, 2



SBLBD6074L



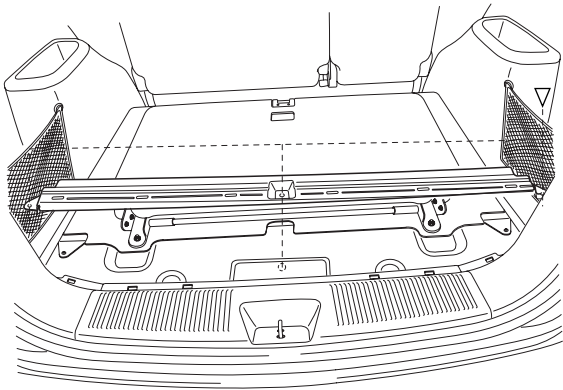
3. Remove the cover (A).



SBLBD6075D

4. Remove the bracket (A).

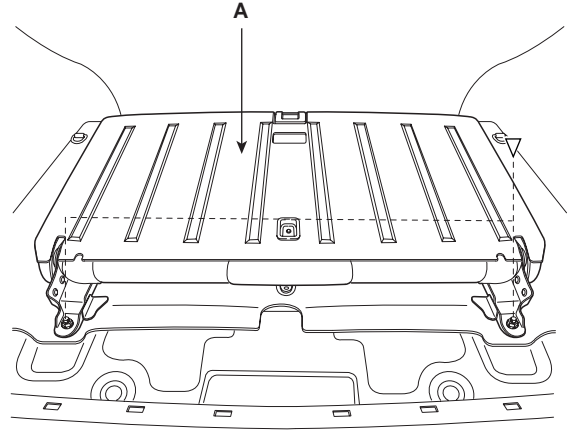
▷ : Bolt Locations, 3



SBLBD6076L

5. After loosening the mounting screw, then remove the seat back (A).

▷ : Nut Locations, 2



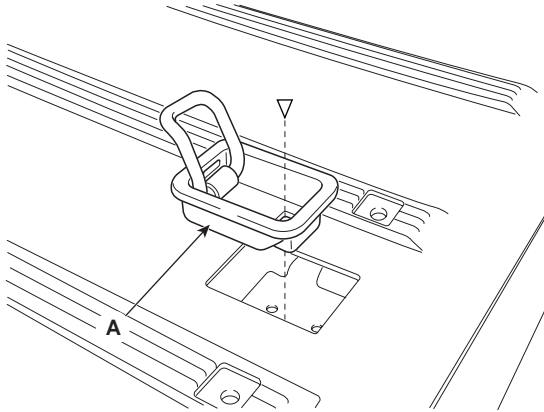
SBLBD6077L

6. Installation is the reverse of removal.

**SEAT BACK COVER REPLACEMENT**

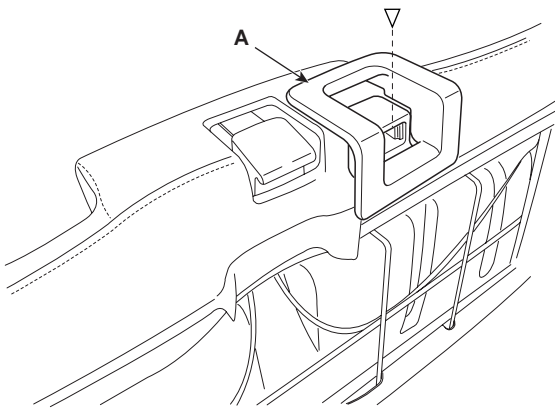
1. Remove the third seat assembly.(Refer to page BD-28)
2. Remove the hook (A).

▷ : Screw Locations, 1



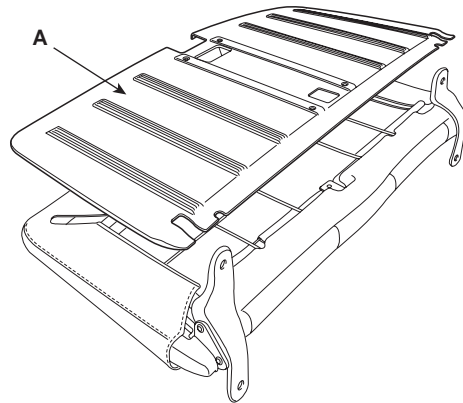
SBLBD6081L

3. Remove the recliner lever (A).



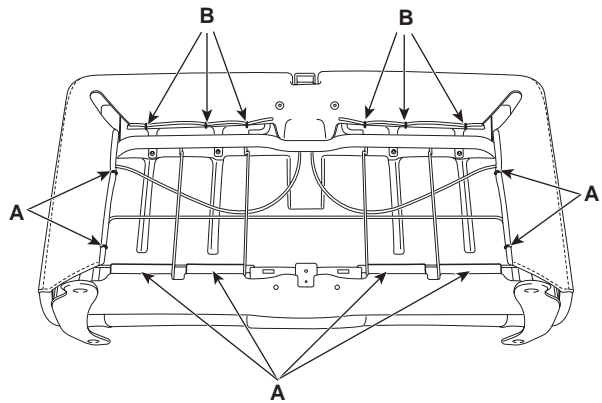
SBLBD6082D

4. Remove the seat back panel (A).



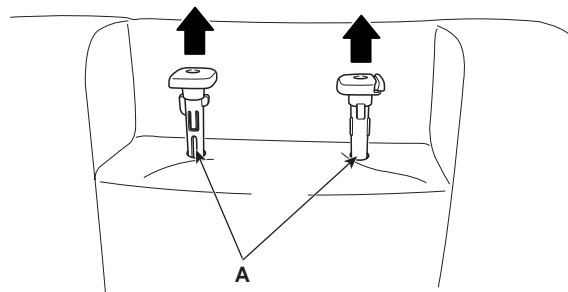
SBLBD6083D

5. Disconnect the protector (A).
6. Remove the hog-ring (B).



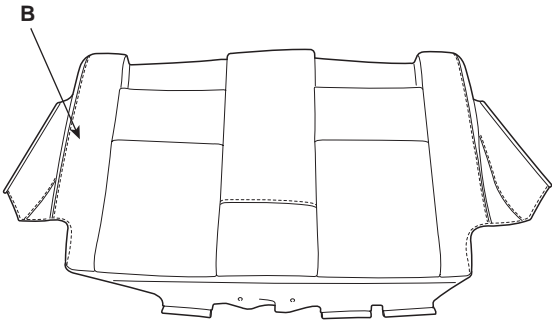
SBLBD6084D

7. Remove the headrest and headrest guide (A).



SBLBD6085D

- 8. Remove the hog-ring clips on the front of seat back, remove the seat back cover (B).



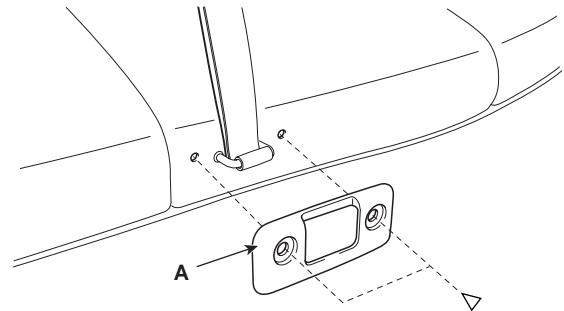
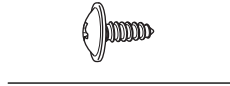
SBLBD6080D

- 9. Installation is the reverse of removal.

SEAT CUSHION COVER REPLACEMENT

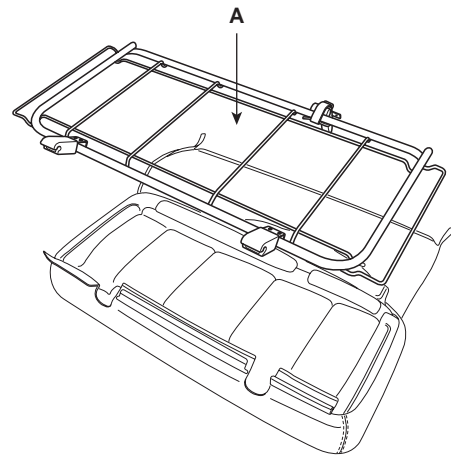
- 1. Remove the cover(A).

▷ : Screw Locations, 2



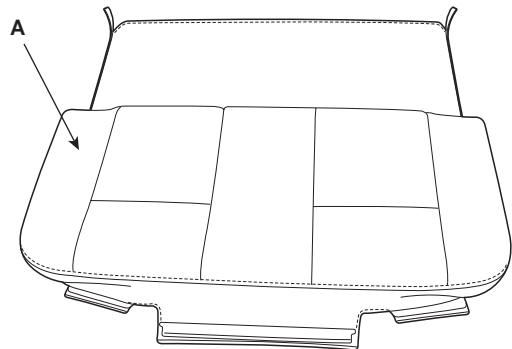
SBLBD6078L

- 2. Remove the seat back frame(A).



SBLBD6079D

- 3. Remove the hog-ring clips on the front of seat back, remove the seat cushion cover(A).



SBLBD6086D

- 4. Installation is the reverse of removal.