

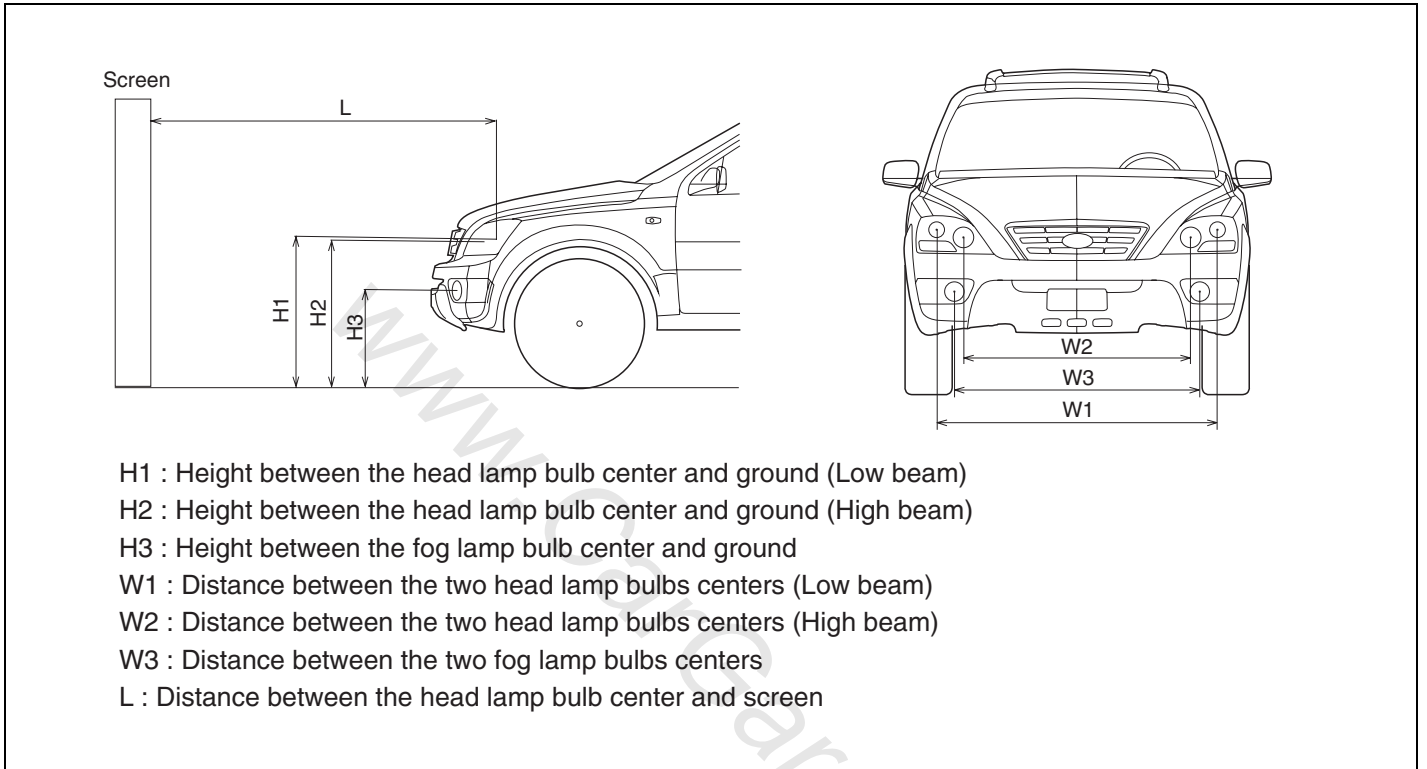
LIGHTING SYSTEM

FRONT FOG LAMP AIMING

The front fog lamps should be aimed as the same manner of the head lamps aiming.

With the front fog lamps and battery normal condition, aim the front fog lamps by turning the adjusting gear.

HEAD LAMP AND FOG LAMP AIMING POINT



SBLBE6443L

Unit : mm

Vehicle condition	H1	H2	H3	W1	W2	W3	L
Without driver	891	849	546	1,490	1,207	1,310	3,000
With driver	876	834	531				

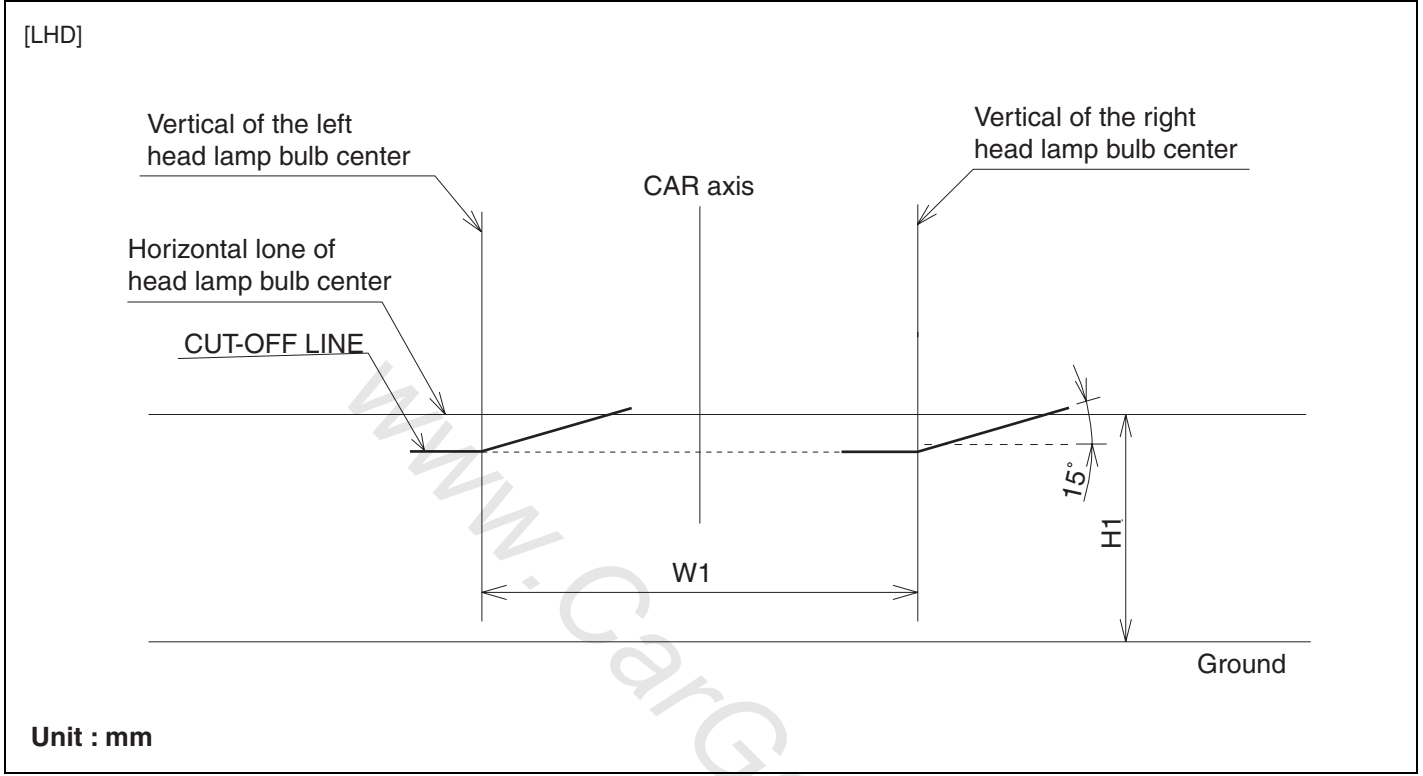
SBLBE6444L

BE -44

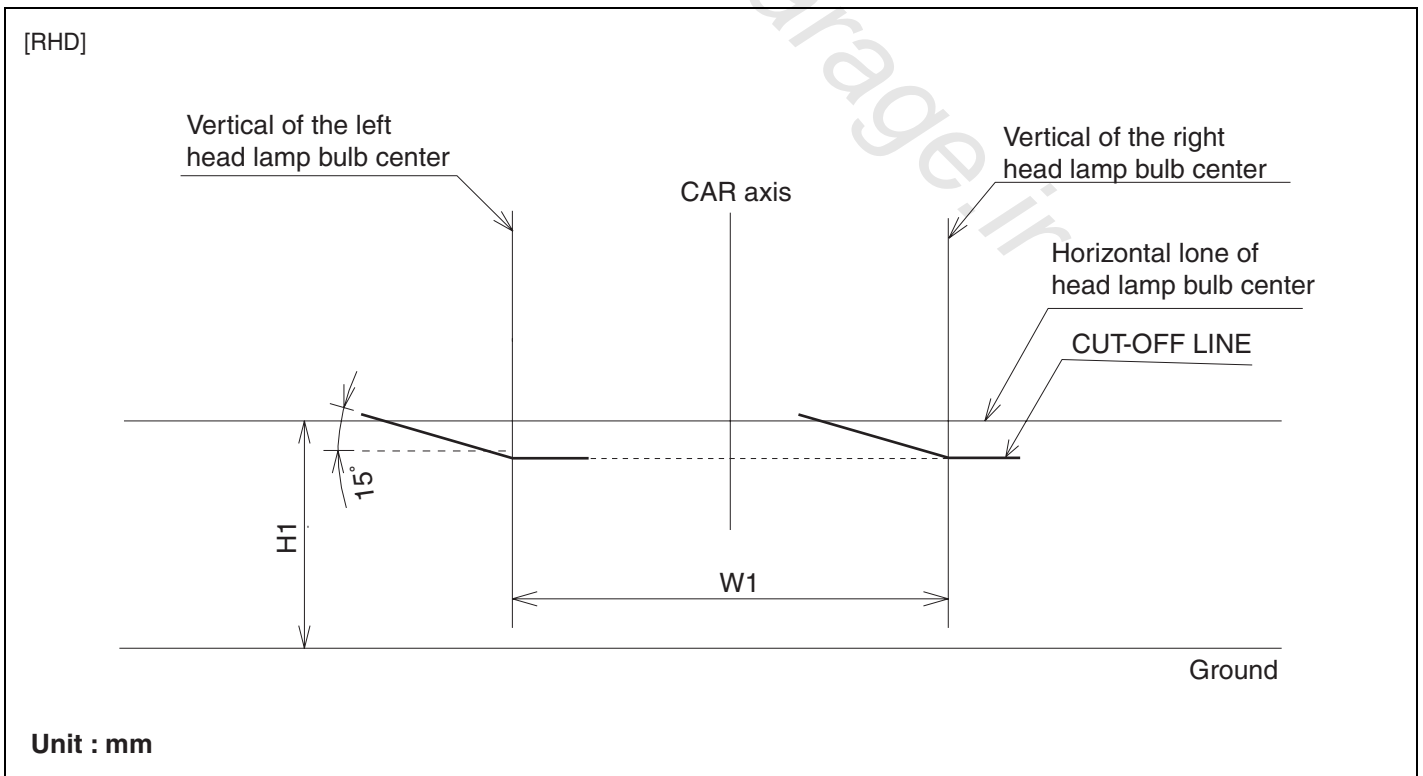
BODY ELECTRICAL SYSTEM

1. Turn the low beam on without the driver aboard. The cut-off line should be projected in the allowable range (shaded region). In case of equipping with the manual leveling device, set the leveling device switch on the "O" position.

In case of equipping with the auto leveling device, set the initialization by using the diagnostic tool before aiming.
* In case of high beam, head lamp do not need aiming with proper beam-setting equipment.



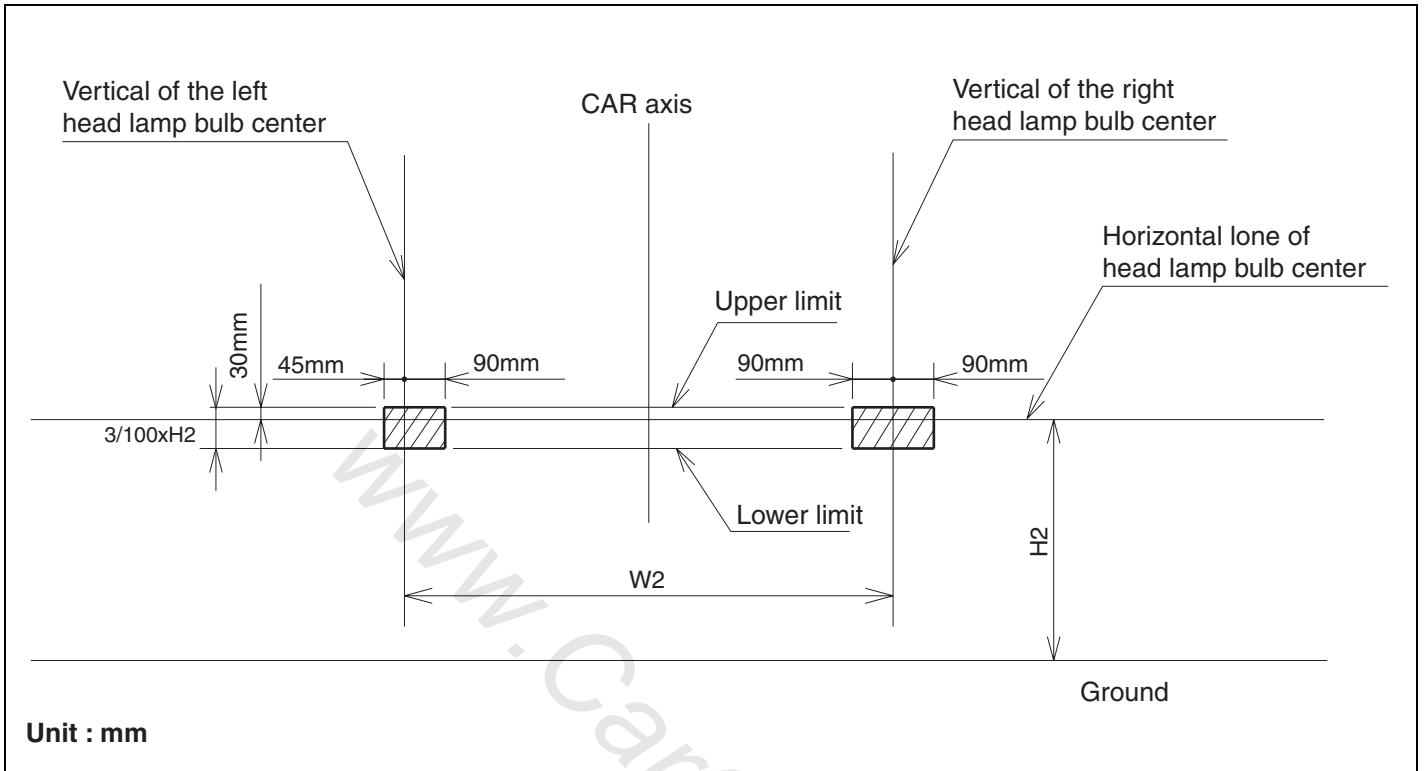
SBLBE6445L



SBLBE6448L

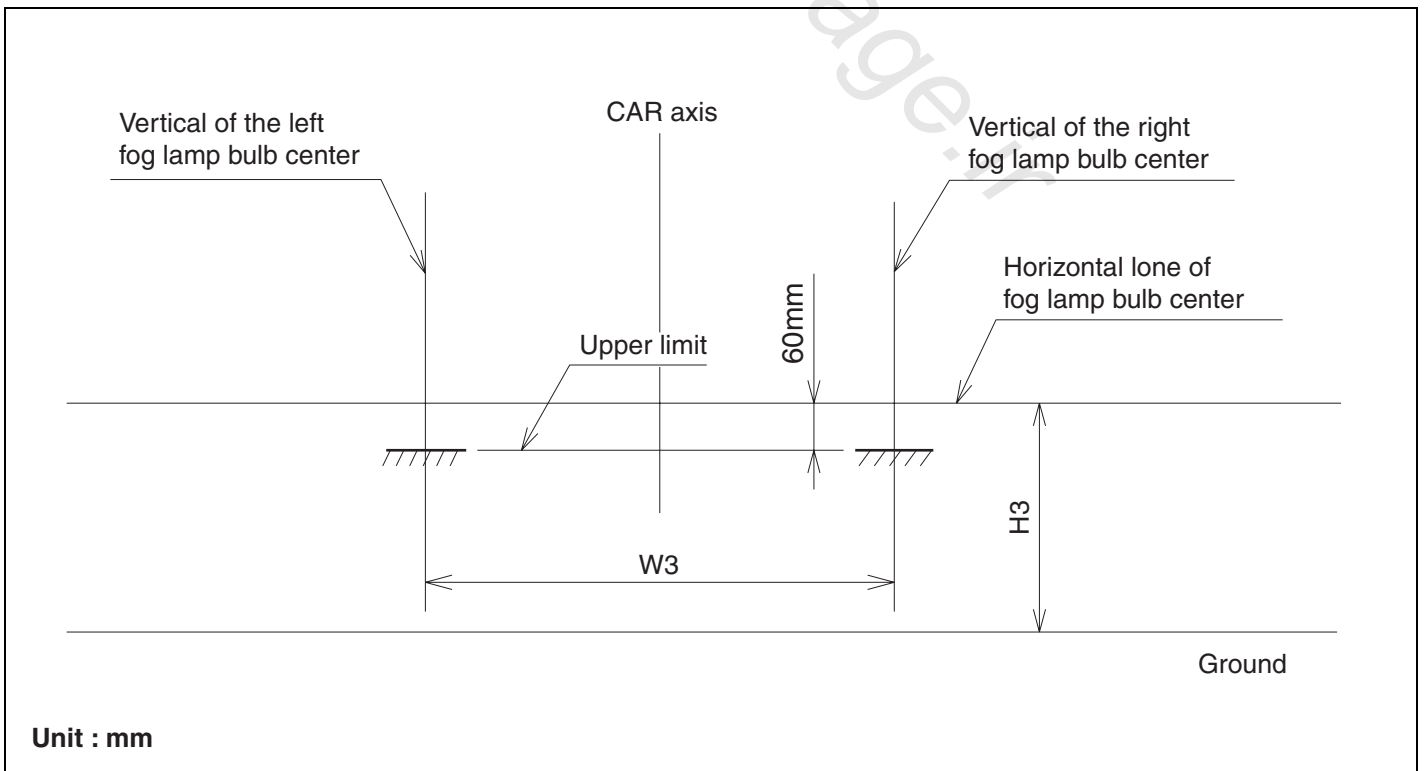
LIGHTING SYSTEM

- Turn the high beam on without the driver aboard.
The cut-off line should be projected in the allowable range (shaded region).



SBLBE6446L

- Turn the front fog lamp on without the driver aboard.
The cut-off line should be projected in the allowable range (shaded region)



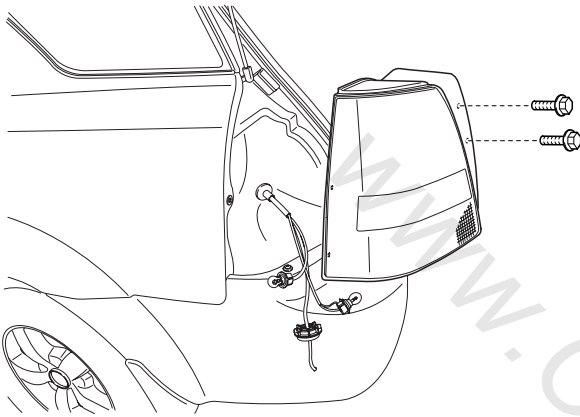
SBLBE6447L

TURN SIGNAL LAMP

REMOVAL E0B60439

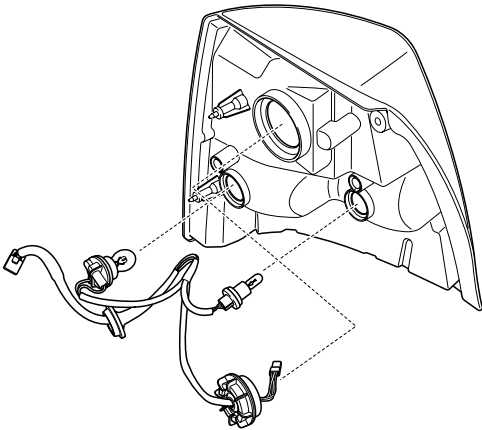
REAR LAMP

1. Disconnect the negative (-) battery terminal.
2. Loosen the 2 screws holding the rear combination lamp then disconnect the connector. And then remove the outside rear combination lamp assembly.



SBLBE6449D

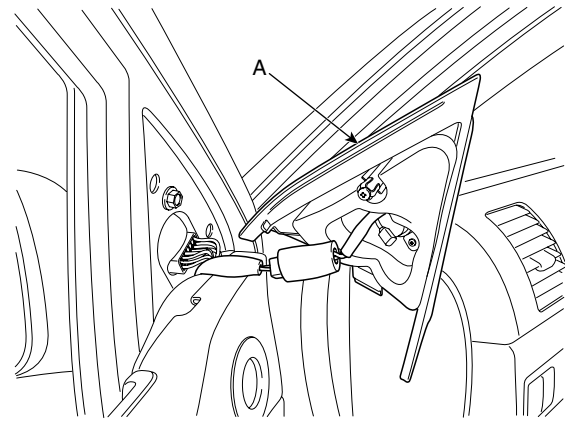
3. Remove the bulbs from the rear combination lamp assembly.



SBLBE6450D

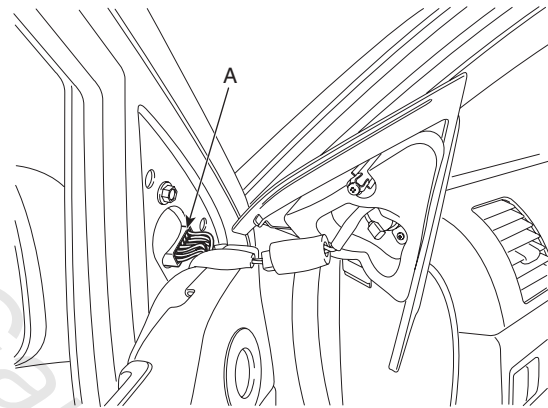
TURN SIGNAL LAMP(DOOR MIRROR)

1. Disconnect the negative (-) battery terminal.
2. Remove the tweeter speaker cover (A). (Refer to the Front Door in BD Group)



SBLBE6451D

3. Disconnect the door mirror connector (A).



SBLBE6452D

4. Loosen the 3 bolts then remove the door mirror.

CAUTION

Turn signal lamp of door mirror is used LED (Light-emitting Diode).

INSTALLATION E724B155

REAR LAMP

1. Connect the bulbs to the rear combination lamp assembly.
2. Connect the rear combination lamp connector.
3. Reassemble the rear combination lamp assembly.

TURN SIGNAL LAMP(DOOR MIRROR)

1. Reassemble the door mirror to the door.
2. Connect the door mirror connector.
3. Reassemble the tweeter speaker.